

6 Introduction to Alternating Current Technology

Student Group

First Name	Surname	Matrikel Nr.

Table of Contents

6. Introduction into Alternating Current Technology	3
6.1 Description of time-dependent Signals	3
Goals	3
6.1.1 Description of Classification of time-dependent Signals	4
6.1.2 Descriptive Values of AC Signals	5
Notice:	6
6.2 Averaging of AC Signals	7
Goals	7
6.2.1 The Arithmetic Mean	8
6.2.2 The Rectified Value	8
Exercise 6.3.1 The Rectified Value of rectangular and triangular signals	8
6.2.3 The RMS Value	9
Note:	9
Note:	10
Exercise 6.3.2 The RMS Value of rectangular and triangular signals	10
6.2.4 Comparison of the different averages	10
6.3 AC Two-Poles	10
Goals	10
6.3.1 Resistance	11
6.3.2 Capacitance	11
Notice:	12
6.3.3 Inductance	12
Notice:	13
6.4 Complex Values in Electrical Engineering	13
Goals	14
6.4.1 Representation and Interpretation	14
6.4.2 Complex Current and Voltage	17

- 6.5 Complex Impedance** 18
- Goals 18
- 6.5.1 Introduction into Complex Impedance 19
- 6.5.2 Application on pure Loads 19
- 6.5.3 Application on Impedance Networks 20
 - Simple Networks 20
 - More "complex" Networks 21
 - Notice: 22
- Exercises** 23
 - Exercise 6.3.1 Impedance of single Components I 23
 - Exercise 6.3.2 Impedance of single Components II 23
 - Exercise 6.3.3 Impedance of single Components III 23
 - Exercise 6.5.1 Two voltage sources 23
 - Exercise 6.5.2 oscilloscope plot 23
 - Exercise 6.5.3 Series Circuit 24
 - Exercise 6.5.4 Parallel Circuit 24
 - Exercise 6.5.5 Complex Calculation I 25
 - Exercise 6.5.6 Complex Calculation II 25
 - Exercise 6.5.7 real Coils I 25
 - Exercise 6.5.8 real Coils II 25
 - Exercise 6.5.8 Capacitors and Resistance I 26
 - Exercise 6.6.1 Impedance in Series Circuit of multiple Components I 26
 - Exercise 6.6.2 Impedance in Series Circuit of multiple Components II 26
 - Exercise 6.6.3 Impedance in Parallel Circuit of multiple Components I 26
 - Exercise 6.6.4 Impedance in Mixed Parallel and Series Circuit of multiple Components I 27
 - Exercise 6.6.5 Impedance in Mixed Parallel and Series Circuit of multiple Components II 27
 - Exercise 6.6.6 Impedance in Mixed Parallel and Series Circuit of multiple Components III
..... 27

6. Introduction into Alternating Current Technology

Up to now we had analysed DC signals (chapters 1. - 4.) and abrupt voltage changes for (dis)charging capacitors (chapter 5.). In households we use instead of a constant voltage (DC) alternating voltage (AC). This is due to at least three main facts

1. Often the voltage given by the **power plant is AC**. This is true for example in all power plants which use electric generators. In these, a mechanical energy of a rotating system is transformed into electric energy by means of moving magnets, which induce an alternating electric voltage. Some modern plants, like photovoltaic plants do not primarily generate AC voltages.
2. For long-range power transfer the power losses P_{loss} can be reduced by reducing the currents I since $P_{\text{loss}} = R \cdot I^2$. Therefore, for constant power transfer the voltage has to be increased. This is much easier done with AC voltages: **AC enables to transform lower voltages to higher** by the use of alternating magnetic fields in a transformer.
3. AC signals have **at least one more value** which can be used for understanding the situation of the source or load. This simplifies the power and load management in a complex power network.

This does not mean that DC power lines are useless or only full of disadvantages:

- A lot of modern loads need DC voltages, like battery based systems (laptops, electric cars, smartphones). Others can simply be changed into DC loads like systems with electric motors (refrigerators, oven, lighting, heating).
- Long-range power transfer with DC voltages show often much lower power losses.

Besides the applications in power systems AC values are also important in communication engineering. Acoustic and visual signals like sound and images can often be considered as wavelike AC signals. Additionally, also for signal transfer like Bluetooth, RFID, antenna design AC signals are important.

In order to understand these systems a bit more, we will start in this chapter with a first introduction into AC systems.

6.1 Description of time-dependent Signals

Goals

After this lesson, you should:

1. know which types of time-dependent waveforms there are and be able to assign them
2. Know the relationship between amplitude and peak-to-peak value.
3. Know the relationship between period, frequency and angular frequency.
4. Know the difference between zero phase angle and phase shift angle.
5. Know the direction of the phase shift angle.
6. know the formula symbols of the above-mentioned quantities.

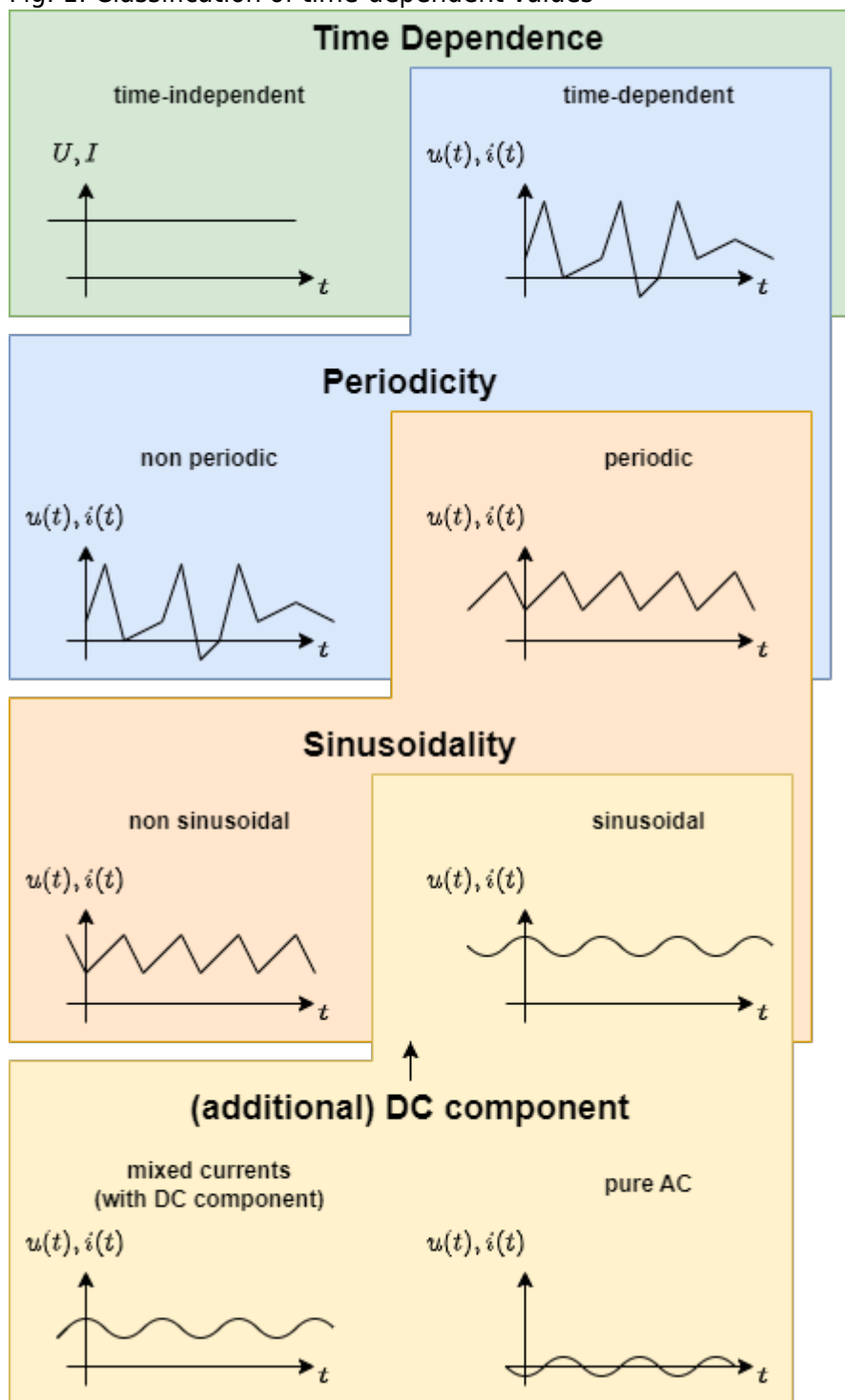
6.1.1 Description of Classification of time-dependent Signals

Voltages and currents in the following chapters will be time-dependent values. As already used in chapter 5. for the time-dependent values lowercase letters will be written.

By this time-dependent values any temporal form of the voltage / current curves are possible (see figure 1).

- We distinguish periodic and non periodic signals
- One important family of periodic signals are sinusoidal signals
- Sinusoidal signals can be mixed with DC signals

Fig. 1: Classification of time-dependent values



In the following we will investigate mainly pure AC signals.

6.1.2 Descriptive Values of AC Signals

Fig. 2: Values of AC signals

a)



b)



There are some important characteristic values when investigating AC signals (figure 2). For the signal itself these are:

- The **DC voltage** or DC offset is given by the value U_{DC} of V_{DC} (in German: Gleichanteil). The DC component also defines the average value of an AC signal.
- The maximum deviation from the DC value is called **peak voltage** U_p (in German: Spitzespannung). Specifically for sinusoidal signals the **peak voltage** U_p is also called **amplitude** \hat{U} (in German: Scheitelwert or Amplitude).
- The voltage difference between maximum and minimum deviation is called **peak-to-peak voltage** U_{pp} (in German: Spitze-Spitze-Spannung). Be aware, that in English texts often amplitude is also used for (non sinusoidal) U_{pp} - based on German DIN standards the term amplitude is only valid for the sinusoidal peak voltage.

Additionally, there are also characteristic values related to the time:

- The shortest time difference for the signal to repeat is called **period** T .
- Based on the period T the frequency $f = \frac{1}{T}$ can be derived. The unit of the frequency is $1 \text{ Hz} = 1 \text{ Hertz}$.
- For calculation, often the **angular frequency** ω is used. The angular frequency is given by $\omega = \frac{2\pi}{T}$ with the unit $\frac{1}{s}$. The angular frequency represents the angle which is covered in one second.
- Another handy value is the time offset between the start of the sinus wave ($u(t)=0V$ and

rising) and $t=0$ s. This difference is often written based on an angular difference and is called the **phase angle** or **initial phase** φ_U (in German: Nullphasenwinkel). This then has to be calculated back to a time value: $\Delta t = \frac{\varphi_U}{\omega} = \varphi_U \cdot \frac{T}{2\pi}$

Mathematically, the AC voltages and currents can be written as: $u(t) = \hat{U} \cdot \sin(\omega t + \varphi_U)$
 $i(t) = \hat{I} \cdot \sin(\omega t + \varphi_I)$

Between the AC voltages and currents there is also another important characteristic: The **phase difference** $\Delta \varphi$ is given by $\Delta \varphi = \varphi_U + \varphi_I$. The phase difference shows how far the momentary value of the current is ahead of the momentary value of the voltage.

Notice:

The initial phase φ_0 has a direction / sign which has to be considered. In the case **a)** in the picture the zero-crossing of the sinusoidal signal is before $t=0$ or $\omega t = 0$. Therefore, the initial phase φ_0 is positive.



Similarly also for the phase difference $\Delta \varphi$ the direction has to be taken into account. In the following image the zero-crossing of the voltage curve is before the zero-crossing of the current. This leads to a positive phase difference $\Delta \varphi$.



6.2 Averaging of AC Signals

Goals

After this lesson, you should:

1. be able to calculate the arithmetic mean, the rectified value and the rms value.
2. know these mean values for sinusoidal quantities.
3. know the reason for using the rms value.

In order to analyse AC signals more, often different types of averages are taken into account. The most important values are:

1. the arithmetic mean \overline{X}
2. the rectified value $\overline{|X|}$
3. the rms value X

These shall be discussed in the following. The video “Alternating Current AC Basics - Part 1” of EEVblog explains the ideas behind these values alternatively to the following subchapter:



6.2.3 The RMS Value

Often it is important be able to compare AC signals to DC signals by having equivalent values. But what does equivalent mean?

Most importantly, these “equivalent values” are used to compare the output power of a system. One of this equivalent value is supply voltage value of \$230V\$ (or in some countries \$110V\$).

How do we come to this values?

We want to find the voltage U_{DC} and I_{DC} of a DC source, that the output power P_{DC} on a resistor R is similar to the output power P_{AC} of an AC source with the instantaneous values $u(t)$ and $i(t)$. For this, we have to consider the instantaneous power $p(t)$ for a distinct time t and integrate this over one period T .

$$\begin{aligned} P_{DC} &= P_{AC} \\ U_{DC} \cdot I_{DC} &= \frac{1}{T} \int_0^T u(t) \cdot i(t) dt \\ R \cdot I_{DC}^2 &= \frac{1}{T} \int_0^T R \cdot i^2(t) dt \\ I_{DC}^2 &= \frac{1}{T} \int_0^T i^2(t) dt \end{aligned} \quad \Rightarrow \quad I_{DC} = \sqrt{\frac{1}{T} \int_0^T i^2(t) dt}$$

The similar approach can be used on instantaneous voltage $u(t)$. Generally, the RMS values is given by

$$X_{RMS} = \sqrt{\frac{1}{T} \int_0^T x^2(t) dt}$$

Root Mean Squared

What is the meaning of RMS? Simple:

By this abbreviation, one can also not forget in which order the formula has to be written... Often the rms value is also called effective value (in German: Effektivwert).

Note:

- The heat dissipation on an resistor R of an AC current with the rms value of $I_{rms}=1A$ is equal to the heat dissipation of an DC current with $I_{DC}=1A$.
- To shorten writing formulas, the values of AC signals given with uppercase letters will represent the RMS value in the following: $U = U_{RMS}$, $I = I_{RMS}$.
- It holds for AC signals and their RMS values:
 - The resistance is $R = \frac{U}{I}$
 - The power dissipation on a resistor is $P = U \cdot I$

For pure AC signals this results in:

$$\begin{aligned} X &= \sqrt{\frac{1}{T} \int_{t_0}^{t_0+T} x^2(t) dt} \\ &= \sqrt{\frac{1}{T} \int_{t=0}^T \hat{X}^2 \cdot \sin^2(\omega t) dt} \\ &= \sqrt{\frac{1}{T} \int_{t=0}^T \hat{X}^2 \cdot \frac{1}{2} \cdot (1 - \cos(2\omega t)) dt} \\ &= \sqrt{\frac{1}{T} \int_{t=0}^T \hat{X}^2 \cdot \frac{1}{2} \cdot [t + \frac{1}{2\omega} \sin(2\omega t)]_0^T} \\ &= \sqrt{\frac{1}{T} \int_{t=0}^T \hat{X}^2 \cdot \frac{1}{2} \cdot (T - 0 + 0 - 0)} \\ &= \sqrt{\frac{1}{2} \hat{X}^2} \end{aligned}$$

$$\hat{X}^2 \quad \boxed{X = \frac{1}{\sqrt{2}} \cdot \hat{X} \approx 0.707 \cdot \hat{X}}$$

This can also be seen in this [youtube video](#).

Note:

In the following we will often use for physical values $x = \sqrt{2}X$ instead of \hat{X} . Therefore, the sinusoidal formula of a physical value x will be: $x(t) = \hat{X} \cdot \sin(\omega t + \varphi_x) \rightarrow x(t) = \sqrt{2}X \cdot \sin(\omega t + \varphi_x)$

Exercise 6.3.2 The RMS Value of rectangular and triangular signals

Calculate the RMS value of rectangular and triangular signals! Use similar symmetry simplifications like shown for AC signals. Compare it to the values shown in [figure 3](#).

6.2.4 Comparison of the different averages

Fig. 3: The averages of different signals

6.3 AC Two-Poles

Goals

After this lesson, you should:

1. know that real, lossy components are described by equivalent circuits of ideal components.
2. know and be able to apply the definition of apparent resistance, apparent conductance, impedance, and admittance.

In the chapters [2. Simple Circuits](#) and [3 Non-ideal Sources and Two Pole Networks](#) we already have seen, that it is possible to reduce complex circuitries down to equivalent resistors (and ideal sources). This we will try to adopt for AC components, too.

We want to analyze how relationship between the current through a component and the voltage drop on this component behaves, when an AC current is applied.

6.3.1 Resistance

We start with Ohms law, which states, that the instantaneous voltage $u(t)$ is proportional to the instantaneous current $i(t)$ by the factor R . $u(t) = R \cdot i(t)$

Then we insert the functions representing the instantaneous signals: $x(t) = \sqrt{2} \cdot X \cdot \sin(\omega t + \varphi_x)$: $\sqrt{2} \cdot U \cdot \sin(\omega t + \varphi_u) = R \cdot \sqrt{2} \cdot I \cdot \sin(\omega t + \varphi_i)$

Since we know, that $u(t)$ must be proportional to $i(t)$ we conclude that for a resistor $\varphi_u = \varphi_i$!

$$R = \frac{\sqrt{2} \cdot U \cdot \sin(\omega t + \varphi_i)}{\sqrt{2} \cdot I \cdot \sin(\omega t + \varphi_i)} \quad \&= \quad \frac{U}{I}$$

Fig. 4: time course of instantaneous voltage and current on a resistance



This was not too hard und quite obvious. But, what about the other types of passive two-poles - namely the capacitance and inductance?

6.3.2 Capacitance

For the capacitance we have the basis formula: $C = \frac{Q}{U}$ This formula ia also true for the instantaneous values: $C = \frac{q(t)}{u(t)}$ Additionally we know, that the instantaneous current is defined by $i(t) = \frac{dq(t)}{dt}$.

By this we can set up the formula: $i(t) = \frac{dq(t)}{dt} = \frac{d}{dt} (C \cdot u(t))$

Now, we insert the functions representing the instantaneous signals and calculate the derivative:

$$\sqrt{2} \cdot I \cdot \sin(\omega t + \varphi_i) = \frac{d}{dt} (C \cdot \sqrt{2} \cdot U \cdot \sin(\omega t + \varphi_u)) \quad \&= \quad C \cdot \sqrt{2} \cdot U \cdot \omega \cdot \cos(\omega t + \varphi_u) \quad \&\& \quad I \cdot \sin(\omega t + \varphi_i) = C \cdot U \cdot \omega \cdot \sin(\omega t + \varphi_u + \frac{1}{2}\pi) \quad \text{\tag{6.3.1}}$$

Equating coefficients in (6.3.1) leads to: $I = C \cdot U \cdot \omega \cdot \frac{U}{I} \quad \&= \quad \frac{1}{\omega \cdot C}$ and: $\omega t + \varphi_i = \omega t + \varphi_u + \frac{1}{2}\pi \quad \&\& \quad \varphi_i = \varphi_u + \frac{1}{2}\pi \quad \&\& \quad \varphi_i - \varphi_u = \frac{1}{2}\pi$

The phase shift of $-\frac{1}{2}\pi$ can also be seen in [figure 6](#) and [figure 5](#).

Notice:

In order not to mix up the definitions, for AC signals the fraction of rms voltage by rms current is called **(apparent) impedance** Z (in German: Scheinwiderstand or Impedanz). The impedance is generally defined as $Z = \frac{U}{I}$

Only for pure resistor two pole the impedance Z_R is equal to the value of the resistance: $Z_R = R$.

For the pure capacitive two pole the impedance Z_C is $Z_C = \frac{1}{\omega \cdot C}$.

Fig. 5: time course of instantaneous voltage and current on a capacitance

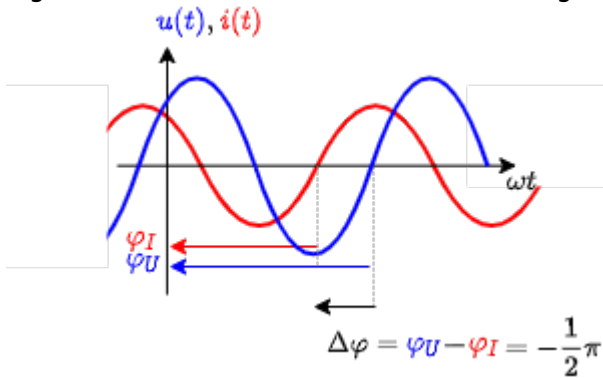


Fig. 6: time course of instantaneous voltage and current on a capacitance

6.3.3 Inductance

The inductance will here be introduced shortly - the detailed introduction is part of [electrical engineering 2](#).

For the capacitance C we had the situation, that it reacts to a voltage change $\frac{d}{dt}u(t)$ with a counteracting current: $i(t) = C \cdot \frac{d}{dt}u(t)$ This is due to the fact, that the capacity stores charge carriers q . It appears that “the capacitance does not like voltage changes and reacts with a compensating current”. When the voltage on a capacity drops, the capacity supplies a current - when the voltage rises the capacity drains a current.

For an inductance L it is just the other way around: “the inductance does not like current changes and reacts with a compensating voltage drop”. Once the current changes the inductance will create a voltage drop that counteracts and continues the current: A current change $\frac{d}{dt}i(t)$ leads to a voltage drop $u(t)$: $u(t) = L \cdot \frac{d}{dt}i(t)$ The proportionality factor here is L , the value of the inductance, and it is measured in $[L] = 1\text{H} = 1\text{ Henry}$.

We can now again insert the functions representing the instantaneous signals and calculate the derivative:
$$\sqrt{2}\{U\} \cdot \sin(\omega t + \varphi_U) = L \cdot \frac{d}{dt} \left(\sqrt{2}\{I\} \cdot \sin(\omega t + \varphi_I) \right) = L \cdot \sqrt{2}\{I\} \cdot \omega \cdot \cos(\omega t + \varphi_I) = L \cdot \sqrt{2}\{I\} \cdot \omega \cdot \sin(\omega t + \varphi_I + \frac{1}{2}\pi)$$
 tag{6.3.2}

Equating coefficients in (6.3.2) leads to:
$$U = L \cdot I \cdot \omega \quad \boxed{Z_L}$$

$$= \frac{U}{I} = \omega \cdot L \quad \text{and:} \quad \omega t + \varphi_U = \omega t + \varphi_I + \frac{1}{2}\pi \implies \boxed{\varphi_U - \varphi_I = + \frac{1}{2}\pi}$$

The phase shift of $+\frac{1}{2}\pi$ can also be seen in [figure 8](#) and [figure 7](#).

Fig. 7: time course of instantaneous voltage and current on a inductance



Fig. 8: time course of instantaneous voltage and current on a inductance

Notice:

Remember the formulas for the different pure loads:

Load		impedance $Z = \frac{U}{I}$	phase φ
Resistance	R	$Z_R = R$	$\varphi_R = 0$
Capacitance	C	$Z_C = \frac{1}{\omega \cdot C}$	$\varphi_C = -\frac{1}{2}\pi$
Inductance	L	$Z_L = \omega \cdot L$	$\varphi_L = +\frac{1}{2}\pi$

Tab. 1: Formulas for the different pure loads

One way to memorize the phase shift is given by the word **CIVIL**:

- **CIVIL**: for a capacitance **C** the current **I** leads the voltage **V**.
Therefore the phase angle φ_I of the current is larger than the phase angle φ_U of the voltage: $\implies \varphi = \varphi_U - \varphi_I < 0$.
- **CIVIL**: for an inductance **L** the voltage **V** leads the current **I**.
Therefore the phase angle φ_U of the voltage is larger than the phase angle φ_I of the current: $\implies \varphi = \varphi_U - \varphi_I > 0$.

By the concept of AC two-poles we are also able to use the DC methods of network analysis in order to solve AC networks.

6.4 Complex Values in Electrical Engineering

Goals

After this lesson, you should:

1. know how sine variables can be symbolized by a vector.
2. know which parameters can determine a sinusoidal quantity.
3. be able to graphically derive a pointer diagram for several existing sine variables.
4. be able to plot the phase shift on the vector and time plots.
5. Be able to add sinusoidal quantities in vector and time representation.
6. know and be able to apply the impedance of components.
7. know the frequency dependence of the impedance of the components. In particular, you should know the effect of the ideal components at very high and very low frequencies and be able to apply it for plausibility checks.

The following two videos explain the basic terms of the complex AC calculus: Impedance, Reactance, Resistance



6.4.1 Representation and Interpretation

Up to now, we used for the AC signals the formula $x(t) = \frac{1}{\sqrt{2}} X \cdot \sin(\omega t + \varphi_x)$ - which was quite obvious.

However, there is an alternative way to look onto the alternating sinusoidal signals. For this, we look first on a different, but already familiar problem (see [figure 9](#)).

1. A mechanical, linear spring with the characteristic constant D is displaced due a mass m in the Earth's gravitational field. The deflection only based on the gravitational field is X_0 .
2. At the time $t_0=0$, we deflect this spring a bit more to $X_0 + \hat{X}$ and therefore induce energy into the system.
3. When the mass is released, the mass will spring up and down for $t>0$. The signal can be shown as shadow when the mass is illuminated sideways.
For $t>0$, the energy is continuously shifted between poential energy (deflection $x(t)$ around X_0) and kinetic energy ($\frac{d}{dt}x(t)$)
4. When looking onto the course of time of $x(t)$, the signal will behave as: $x(t) = \hat{X} \cdot \sin(\omega t + \varphi_x)$
5. The movement of the shadow can also be created by a the sideways shadow of a stick on a rotating disc.
This means, that a two dimensional rotation is reduced down to a single dimension.

Fig. 9: interpretation of sinusidal deflection of a spring



The transformation of the two dimensional rotation to a one dimensional sinusoidal signal is also shown

in [figure 10](#).

Fig. 10: Creation of the sinusoidal signal from a rotational movement

Klick on the box "animate?"
press here for the animation

The two dimensional rotation can be represented with a complex number in Euler's formula. It combines the exponential representation with real part \Re and imaginary part \Im of a complex value: $\underline{x}(t) = \hat{X} \cdot e^{j(\omega t + \varphi_x)} = \Re(\underline{x}) + j \cdot \Im(\underline{x})$

For the imaginary unit j the letter j is used in electrical engineering, since the letter i is already taken for currents.

Fig. 11: representation of a phasor on the complex plane

Cartesian Coordinate System



Polar Coordinate System



6.4.2 Complex Current and Voltage

The concepts of complex numbers shall now be applied to voltages and currents. Up to now we used the following formula to represent alternating voltages:

$$u(t) = \frac{1}{\sqrt{2}} U \cdot \sin(\omega t + \varphi)$$

This is now interpreted as the instantaneous value of a complex vector $\underline{u}(t)$, which rotates given by the time dependent angle $\varphi = \omega t + \varphi_u$.

Fig. 12: representation of a voltage phasor on the complex plane



The parts on the complex plane are then given by:

1. The real part $\operatorname{Re}\{\underline{u}(t)\} = \frac{1}{\sqrt{2}} U \cdot \cos(\omega t + \varphi_u)$
2. The imaginary part $\operatorname{Im}\{\underline{u}(t)\} = \frac{1}{\sqrt{2}} U \cdot \sin(\omega t + \varphi_u)$

This is equivalent to the complex phasor $\underline{u}(t) = \frac{1}{\sqrt{2}} U \cdot e^{j(\omega t + \varphi_u)}$

The complex phasor can be separated: $\underline{u}(t) = \frac{1}{\sqrt{2}} U \cdot e^{j(\omega t + \varphi_u)} = \frac{1}{\sqrt{2}} U \cdot e^{j\varphi_u} \cdot e^{j\omega t} = \frac{1}{\sqrt{2}} \underline{U} \cdot e^{j\omega t}$

The **fixed phasor** (in German: komplexer Festzeiger) of the voltage is given by $\underline{U} = U \cdot e^{j\varphi_u}$

Generally, from now on not only the voltage will be considered as a phasor, but also the current \underline{i} and derived quantities like the impedance \underline{X} .

Therefore, the from Mathematics 101 known properties of complex numbers can be applied:

- A multiplication with j equals a phase shift of $+90^\circ$
- A multiplication with $-j$ equals a phase shift of -90°

6.5 Complex Impedance

Goals

After this lesson you should:

1. Be able to draw and read pointer diagrams.
2. Know and be able to apply the complex value formulas of impedance, reactance, resistance.

6.5.1 Introduction into Complex Impedance

The complex impedance is “nearly” similar calculated like the resistance. In the subchapters before, that impedance Z was calculated by $Z = \frac{U}{I}$.

Now the complex impedance is:

$$\begin{aligned} \underline{Z} &= \frac{\underline{U}}{\underline{I}} \quad \&= \operatorname{Re}(\underline{Z}) + j \operatorname{Im}(\underline{Z}) \\ &= R + j X \quad \&= Z \cdot e^{j \varphi} \quad \&= Z \cdot (\cos \varphi + j \sin \varphi) \end{aligned}$$

With

- the resistance R (in German: Widerstand) as the pure real part
- the reactance X (in German: Blindwiderstand) as the pure imaginary part
- the impedance Z (in German: Scheinwiderstand) as the complex number given by the complex addition of resistance and the reactance as a complex number

The impedance can be transformed from cartesian to polar by:

- $Z = \sqrt{R^2 + X^2}$
- $\varphi = \arctan \frac{X}{R}$

The other way around it is possible to transform by:

- $R = Z \cos \varphi$
- $X = Z \sin \varphi$

6.5.2 Application on pure Loads

With the complex impedance in mind, the [table 1](#) can be expanded to:

Load $\frac{U}{I}$		integral representation $\frac{U}{I}$	complex impedance $\underline{Z} = \frac{\underline{U}}{\underline{I}}$	impedance Z $\frac{U}{I}$	phase φ $\frac{U}{I}$
Resistance	R	$\underline{u} = R \cdot \underline{i}$	$Z_R = R$	$Z_R = R$	$\varphi_R = 0^\circ$
Capacitance	C	$\underline{u} = \int \frac{1}{C} \cdot \underline{i} \, dt$	$Z_C = \frac{1}{j \omega C} = -j \frac{1}{\omega C}$	$Z_C = \frac{1}{\omega C}$	$\varphi_C = -\frac{1}{2} \pi \hat{=} -90^\circ$
Impedance	L	$\underline{u} = L \cdot \frac{d}{dt} \underline{i}$	$Z_L = j \omega L$	$Z_L = \omega L$	$\varphi_L = +\frac{1}{2} \pi \hat{=} +90^\circ$

Tab. 2: Formulas for the different pure loads

The relationship between j and integral calculus should be clear:

1. The derivative of a sinusoidal value - and therefore a phasor - can simply be written as “ j ”, which also means a phase shift of $+90^\circ$:
 $\frac{d}{dt} e^{j(\omega t + \varphi_x)} = j \cdot e^{j(\omega t + \varphi_x)}$
2. The integral of a sinusoidal value - and therefore a phasor - can simply be written as “ $-j$ ”, which also means a phase shift of -90° .¹⁾
 $\int e^{j(\omega t + \varphi_x)} = \frac{1}{j} \cdot e^{j(\omega t + \varphi_x)} = -j \cdot e^{j(\omega t + \varphi_x)}$

Once a fixed input voltage is given, the voltage phasor \underline{U} , the current phasor \underline{I} , and the impedance phasor \underline{Z} . In [figure 13](#) these phasors are shown.

Fig. 13: phasors of the pure loads

	voltage phasor \underline{U}	current phasor \underline{I}	impedance phasor \underline{Z}
Resistance 		$\underline{I} = \frac{1}{R} \cdot \underline{U}$ 	$\underline{Z} = \frac{\underline{U}}{\underline{I}} = R$ 
Capacitance 		$\underline{I} = Cj\omega \cdot \underline{U}$ 	$\underline{Z} = \frac{-j}{\omega C}$ 
Inductance 		$\underline{I} = \frac{1}{Lj\omega} \cdot \underline{U}$ 	$\underline{Z} = j\omega L$ 

6.5.3 Application on Impedance Networks

Simple Networks

In the capter [Kirchhoff's Circuit Laws](#) we already had a look onto simple networks like a series or parallel circuit of resistors.

These formulas not only apply for ohmic resistors but also for impedances:

Fig. 14: Simple Networks

Series Circuits



$$\underline{U}_{res} = \underline{U}_1 + \underline{U}_2 + \dots + \underline{U}_n = \sum_n \underline{U}_i$$

$$\underline{Z}_{eq} \cdot \underline{I} = \underline{Z}_1 \cdot \underline{I} + \underline{Z}_2 \cdot \underline{I} + \dots + \underline{Z}_n \cdot \underline{I} = \sum_n \underline{Z}_i \cdot \underline{I}$$

$$\underline{Z}_{eq} = \underline{Z}_1 + \underline{Z}_2 + \dots + \underline{Z}_n = \sum_n \underline{Z}_i$$

Parallel Circuits



$$\underline{I}_{res} = \underline{I}_1 + \underline{I}_2 + \dots + \underline{I}_n = \sum_n \underline{I}_i$$

$$\frac{1}{\underline{Z}_{eq}} \cdot \underline{U} = \frac{1}{\underline{Z}_1} \cdot \underline{U} + \frac{1}{\underline{Z}_2} \cdot \underline{U} + \dots + \frac{1}{\underline{Z}_n} \cdot \underline{U} = \sum_n \frac{1}{\underline{Z}_i} \cdot \underline{U}$$

$$\frac{1}{\underline{Z}_{eq}} = \frac{1}{\underline{Z}_1} + \frac{1}{\underline{Z}_2} + \dots + \frac{1}{\underline{Z}_n} = \sum_n \frac{1}{\underline{Z}_i}$$

Similarly, the voltage divider, the current divider, the star-delta-transformation, the Thevenin and Northon Theorem can be used, by substituting resistances with impedances. This means for example, every linear source can be represented by an output impedance \underline{Z}_o and a ideal voltage source \underline{U} .

More "complex" Networks

For more complex problems having AC values in circuitries the following approach is beneficial:

Fig. 15: Approach for AC circuitries

1. Find all Values in the time range

e.g. $u_{in}(t) = \hat{U}_{in} \sin(\omega t + \varphi)$



2. Transform into a (rotating) phasor

e.g. $\underline{u}_{in}(t) = \hat{U}_{in} e^{j(\omega t + \varphi)}$
with $\hat{U}_{in} = \sqrt{2} U_{in}$



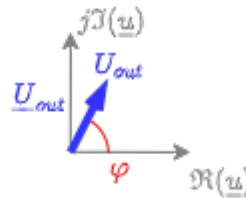
3. Transform into a fixed phasor by Division with $\sqrt{2}e^{j\omega t}$

e.g. $\underline{U}_{in} = U_{in} e^{j\varphi}$



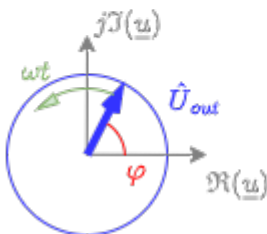
4. algebraic / geometric Solution with phasors

e.g. addition, network analysis etc.



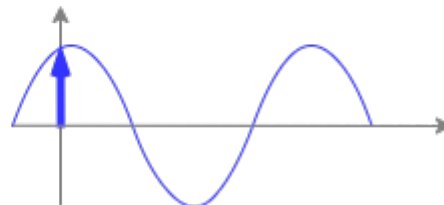
5. Back-Transform into a (rotating) phasor

e.g. $\underline{u}_{out}(t) = \hat{U}_{out} e^{j(\omega t + \varphi)}$
with $\hat{U}_{out} = \sqrt{2} U_{out}$



5. Back-Transform into time range

e.g. $u_{out}(t) = \hat{U}_{out} \sin(\omega t + \varphi)$



Notice:

For a complex number are always two values are needed. These are either

1. the real part (e.g. the resistance) and the imaginary part (e.g. the reactance), or
2. the absolute value (e.g. the absolute value of the impedance) and the phase

Therefore, instead of the form $\underline{X} = X \cdot e^{j\varphi}$ for the phasors often the form $X \angle \varphi$ is used.

Exercises

Exercise 6.3.1 Impedance of single Components I

A coil has a reactance of $80\ \Omega$ at a frequency of 500Hz . At which frequencies the reactance will have the following values?

1. $85\ \Omega$
2. $120\ \Omega$
3. $44\ \Omega$

Exercise 6.3.2 Impedance of single Components II

A capacitor with $5\ \mu\text{F}$ is connected to a voltage source which generates $U_{\text{sim}} = 200\text{V}$. At which frequencies the following current can be measured?

1. 0.5 A
2. 0.8 A
3. 1.3 A

Exercise 6.3.3 Impedance of single Components III

A capacitor shall have a capacity of $4.7\ \mu\text{F} \pm 10\%$. This capacitor shall be used with a voltage of 400V and 50Hz . What is the possible current range which could be found on this component?

Exercise 6.5.1 Two voltage sources

Two ideal voltage sources S_1 and S_2 shall generate the voltage drops $U_1 = 100\text{V}$ and $U_2 = 120\text{V}$. The phase shift between the two sources shall be $+60^\circ$. The phase of source S_1 shall be $\varphi_1 = 0^\circ$. The two sources shall be located in series.

1. Draw the phasor diagram for the two voltage phasors and the resulting phasor.
2. Calculate the resulting voltage and phase.
3. Is the resulting voltage the RMS value or the amplitude?

The source S_2 shall now be turned around (the previous plus pole is now the minus pole and vice versa).

4. Draw the phasor diagram for the two voltage phasors and the resulting phasor for the new circuit.
5. Calculate the resulting voltage and phase.

Exercise 6.5.2 oscilloscope plot

The following plot is visible on an oscilloscope (= plot tool for voltages and current).

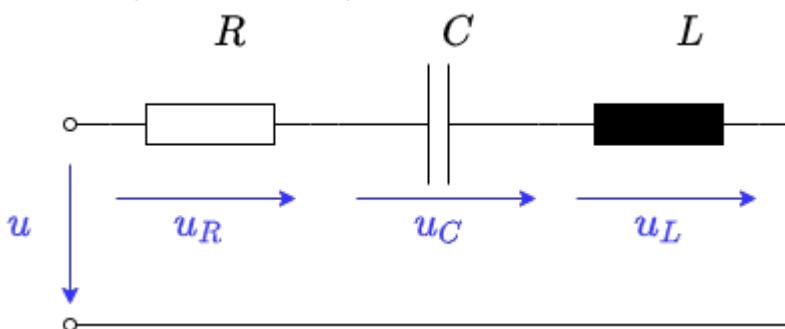


$u : 100V/div$ $i : 2A/div$ $t : 10ms/3div$

1. What is the RMS value of the current and the voltage? What is the frequency f and the phase φ ? Does the component under test behave ohmic, capacitive or inductive?
2. How would the equivalent circuit look like, when it is built by two series components?
3. Calculate the equivalent components of the series circuit.
4. How would the equivalent circuit look like, when it is built by two parallel components?
5. Calculate the equivalent components of the parallel circuit.

Exercise 6.5.3 Series Circuit

The following circuit shall be given.



Determine the RMS value of the missing voltage and the phase shift φ between U and I for the following values:

1. $U_R = 10V$, $U_L = 10 V$, $U_C = 20V$, $U=?$
2. $U_R = ?$, $U_L = 150 V$, $U_C = 110V$, $U=50V$

Exercise 6.5.4 Parallel Circuit

The following circuit shall be given.



Determine the RMS value of the missing currents and the phase shift φ between U and I for the following values:

1. $I_R = 3\text{A}$, $I_L = 1\text{A}$, $I_C = 5\text{A}$, $I = ?$
2. $I_R = ?$, $I_L = 1.2\text{A}$, $I_C = 0.4\text{A}$, $I = 1\text{A}$

Exercise 6.5.5 Complex Calculation I

The following two currents with similar frequency, but different phase have to be added. Use complex calculation!

- $i_1(t) = \sqrt{2} \cdot 2\text{A} \cdot \cos(\omega t + 20^\circ)$
- $i_2(t) = \sqrt{2} \cdot 5\text{A} \cdot \cos(\omega t + 110^\circ)$

Exercise 6.5.6 Complex Calculation II

Two complex impedances \underline{Z}_1 and \underline{Z}_2 are investigated. The resulting impedance for a series circuit is 60Ω . The resulting impedance for a parallel circuit is 25Ω .

What are the values for \underline{Z}_1 and \underline{Z}_2 ?

Exercise 6.5.7 real Coils I

A real coil has both ohmic and inductance behavior. At DC voltage the resistance is measured as 9Ω . With an AC voltage of 5V at 50Hz a current of 0.5A is measured.

What is the value of the inductance L ?

Exercise 6.5.8 real Coils II

A real coil has both ohmic and inductance behavior. This coil has at 100Hz a impedance of $1.5\text{k}\Omega$ and a resistance $1\text{k}\Omega$.

What is the value of the reactance and inductance?

Exercise 6.5.8 Capacitors and Resistance I

An ideal capacitor is in series with a resistor $R=1\text{k}\Omega$. The capacitor shows a similar drop like the resistor for 100Hz .

What is the value of the capacitance?

Exercise 6.6.1 Impedance in Series Circuit of multiple Components I



Exercise 6.6.2 Impedance in Series Circuit of multiple Components II



Exercise 6.6.3 Impedance in Parallel Circuit of multiple Components I



Exercise 6.6.4 Impedance in Mixed Parallel and Series Circuit of multiple Components I



Exercise 6.6.5 Impedance in Mixed Parallel and Series Circuit of multiple Components II



Exercise 6.6.6 Impedance in Mixed Parallel and Series Circuit of multiple Components III



1)

in general, here the integration constant must be considered. This is however often be neglectable, since only AC values (without a DC value) are considered.

From:
<https://first.mexle.te.hs-heilbronn.de/> - **MEXLE Wiki**

Permanent link:
https://first.mexle.te.hs-heilbronn.de/electrical_engineering_1/introduction_in_alternating_current_technology?rev=1639653870

Last update: **2021/12/16 12:24**

