

# 2 Simple DC circuits

## Student Group

| First Name | Surname | Matrikel Nr. |
|------------|---------|--------------|
|            |         |              |
|            |         |              |
|            |         |              |

## Table of Contents

- 2. Simple DC circuits** ..... 3
- 2.1 ideal components** ..... 3
  - goals ..... 3
  - Consumer ..... 3
  - Sources ..... 4
  - wire connection ..... 5
- 2.2 Reference-arrow Systems and first consideration of a DC circuit** ..... 5
  - Goals ..... 6
  - Generator and Load (Reference) Arrow System ..... 6
  - Generator Reference Arrow System ..... 6
  - Load Reference Arrow System ..... 6
  - Note: ..... 7
- 2.3 Nodes, Branches and Loops** ..... 8
  - Goals ..... 8
  - Simplifications ..... 10
  - Exercise 2.3.1 Branches and Nodes ..... 11
  - Exercise 2.3.2 Simplifications of circuits ..... 11
- 2.4 Kirchhoff's circuit laws** ..... 11
  - Goals ..... 12
  - Kirchhoff's current law (Kirchhoff's first law) ..... 12
  - Note: ..... 12
  - Parallel connection of resistors ..... 13
  - Current divider ..... 13
  - Exercise 2.4.1 Current divider ..... 14
  - Exercise 2.4.2 two resistors ..... 14
  - Kirchhoff's voltage law (Kirchhoff's second law) ..... 14
  - Note: ..... 14
  - Beweis des Maschensatzes ..... 15
  - Reihenschaltung von Widerständen ..... 15

- Exercise 2.4.3 drei Widerstände ..... 16
- 2.5 unbelasteter und belasteter Spannungsteiler** ..... 16
- Der unbelastete Spannungsteiler ..... 16
- Ziele ..... 17
- Exercise 2.5.1 unbelasteter Spannungsteiler ..... 18
- Der belastete Spannungsteiler ..... 18
- Exercise 2.5.2 belasteter Spannungsteiler ..... 19
- Exercise 2.5.3 belasteter Spannungsteiler ..... 19
- Exercise 2.5.4 Anwendung des belasteten Spannungsteilers - Motor ..... 20
- Exercise 2.5.5 Beispiele der Berechnung von belasteten Spannungsteilern ..... 21
- Exercise 2.5.6 Beispiel eines belasteten Spannungsteiler: Erklärung ohne Rechnung ..... 21
- 2.6 Stern-Dreieck-Schaltung** ..... 21
- Ziele ..... 22
- Dreieckschaltung ..... 23
- Sternschaltung ..... 23
- Stern-Dreieck-Transformation ..... 24
- Merke: ..... 24
- Exercise 2.6.1 Anwendung der Dreieck-Stern-Umwandlung ..... 25
- Exercise 2.6.2 schwierigere Aufgabe mit Stern-Dreieck-Umwandlung ..... 25
- 2.7 Gruppenschaltung von Widerständen** ..... 26
- Ziele ..... 26
- einfaches Beispiel ..... 26
- Beispiel mit Dreieck-Stern-Transformation ..... 27
- Beispiel mit Symmetrien in der Schaltung ..... 28
- Exercise 2.7.1 Aufgabe zur Schaltungsvereinfachung I ..... 28
- Exercise 2.7.2 Aufgabe zur Schaltungsvereinfachung II + III ..... 29
- Exercise 2.7.3 Aufgabe zur Schaltungsvereinfachung IV ..... 29
- Exercise 2.7.4 Aufgabe zur Schaltungsvereinfachung IV ..... 30
- Exercise 2.7.5 Aufgabe zur Schaltungsvereinfachung V ..... 30
- Exercise 2.7.6 Aufgabe zur Schaltungsvereinfachung VI ..... 30
- Exercise 2.7.7 Simplifying Circuits (exam task, about 8% of a 60-minute exam, WS2020) ..... 31
- Exercise 2.7.8: Simplifying Circuits II (written exam task, approx 8% of a 60-minute written exam, WS2020) ..... 32
- Exercise 2.7.9 - Variation: Simplifying Circuits II (written exam task, approx 8% of a 60-minute written exam, WS2020) ..... 35
- Exercise 2.7.10 - Variation: Simplifying Circuits III (written exam task, approx 8% of a 60-minute written exam, WS2020) ..... 36
- weitere Exercises ..... 36

## 2. Simple DC circuits



Fig. 1: Example of a circuit

So far, only simple circuits consisting of a source and a load connected by wires have been considered.

In the following, more complicated circuit arrangements will be analysed. These initially contain only one source, but several lines and many ohmic loads (cf. [figure 1](#)).

### 2.1 ideal components

#### goals

After this lesson you should:

1. Know the representation of ideal current and voltage sources in the U-I diagram.
2. Know the internal resistance of ideal current and voltage sources.
3. Know the symbol of ideal current and voltage sources.
4. Know the properties of ideal resistance and ideal connection.

Every electrical circuit consists of three elements:

1. **Consumers:** consumers convert electrical energy into energy that is not purely electrical.  
e.g.
  1. into electrostatic energy (capacitor)
  2. into magnetostatic energy (magnet)
  3. into electromagnetic energy (LED, light bulb)
  4. into mechanical energy (loudspeaker, motor)
  5. into chemical energy (charging an accumulator)
2. **sources (generators):** sources convert energy from another form of energy into electrical energy. (e.g. generator, battery, photovoltaic).
3. **wires (interconnections):** the wires of interconnection lines link consumers to sources.

These elements will be considered in more detail below.

#### Consumer

- The colloquial term 'consumer' in electrical engineering stands for an electrical consumer - i.e. a component which converts electrical energy into another form of energy.
- A resistor is often also referred to as a consumer. In addition to pure ohmic consumers, however, there are also ohmic-inductive consumers (e.g. coils in a motor) or ohmic-capacitive

consumers (e.g. various power supplies using capacitors at the output). Correspondingly the equation “consumer is a resistor” is wrong.

- Current-voltage characteristics (vgl. figure 2)
  - Current-voltage characteristics of a load always run through the origin, because without current there is no voltage and vice versa.
  - Ohmic loads have a linear current-voltage characteristic which can be described by a single numerical value.  
The slope in the  $I-U$ -characteristic is the conductance:  $I = G \cdot U = \frac{U}{R}$

Fig. 2: Examples of current-voltage characteristics



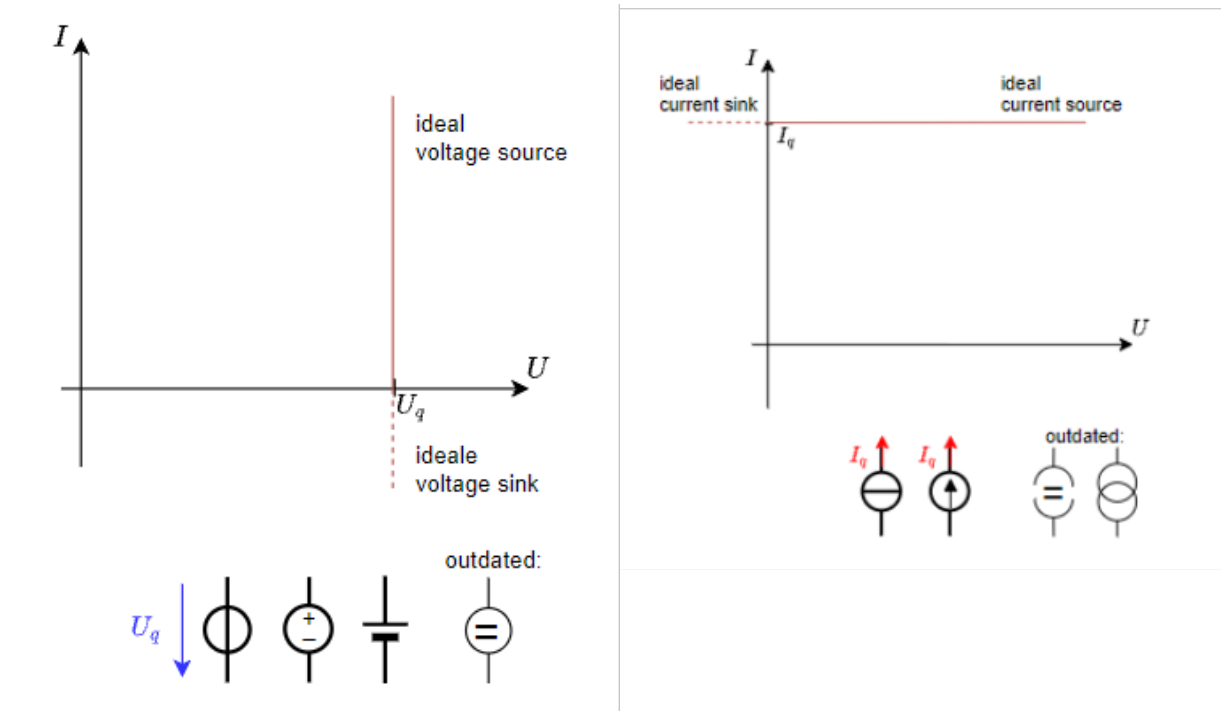
## Sources

Ideal Sources



Fig. 3: ideal voltage source

Fig. 4: ideal current source



- Sources act as generators of electrical energy
- A distinction is made between ideal and real sources. The real sources are described in the following chapter ([non-ideal\\_sources\\_and\\_two\\_terminal\\_networks](#)).

The **ideal voltage source** generates a defined constant output voltage  $U_q$  (in German often  $U_q$  for Quellenspannung). In order to maintain this voltage, it can supply any current. The current-voltage characteristic also represents this (see [figure 3](#)).

The circuit symbol shows a circle with two terminals. In the circuit, the two terminals are short-circuited.

Another circuit symbol shows the negative terminal of the voltage source as a “thick minus symbol”, the positive terminal is drawn wider.

The **ideal current source** produces a defined constant output current  $I_q$  (in German often  $I_q$  for Quellenstrom). For this current to flow, any voltage can be applied to its terminals. The current-voltage characteristic also represents this (see [figure 4](#)).

The circuit symbol shows again a circle with two connections. This time the two connections are left open in the circle and a line is drawn perpendicular to them.

## wire connection

- The ideal connection line is resistance-free and transmits current and voltage instantaneously.
- Real existing influences (e.g. voltage drop) of connections are considered via separately drawn components (e.g. ohmic resistance).

## 2.2 Reference-arrow Systems and first consideration of a DC circuit

## Goals

After this lesson you should:

1. Be able to apply and distinguish between the producer and consumer reference arrow systems.

In the chapter [1. Preparation and Proportions](#) the conventional directional sense of currents and voltages has already been discussed. Unfortunately, with meshed networks it is often not clear ahead of the calculation in which direction the conventional sense of direction of all currents and voltages runs.

In [figure 5](#) such a meshed net is shown. In this circuit a switch  $S_1$  and a current  $I_2$  are marked. Once the state of the switch is swapped, the direction of the current changes.

Fig. 5: Example of a circuit

## Generator and Load (Reference) Arrow System

For the direction of the arrows different conventions are available. Here (and quite often in Germany) the [convention of power engineering](#) is used. This convention is

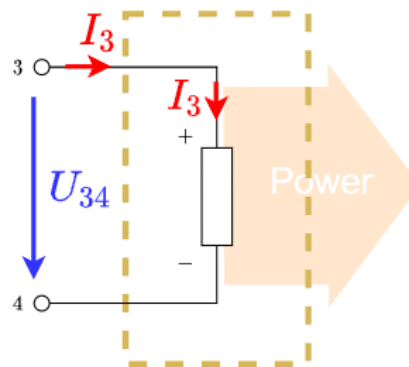
### Generator Reference Arrow System

Fig. 6: Generator Arrow System



With **sources** (or generators), energy is taken from the environment and made available to the circuit. For generators, the arrowfoot of the current is attached to the arrowhead of the voltage. Voltage and current arrows are antiparallel ( $\uparrow$

Fig. 7: Verbraucherpfeilsystem



### Load Reference Arrow System

In the case of **consumers**, energy is taken from the circuit and made available to the environment. For consumers, the arrowfoot or arrowhead of the current and voltage are related. Voltage and current

\downarrow\$).

For generators holds:  $P_1 = U_{12} \cdot I_1 \stackrel{!}{>} 0$

The power transfer from the environment to the power system via the generator or the generator arrow system is calculated positively.

arrows are parallel ( $\uparrow$ ).

For consumers, the following holds:

$P_3 = U_{34} \cdot I_3 \stackrel{!}{>} 0$

The power transfer from the power system to the environment via the consumer or the consumer arrow system is also calculated positively.

### Note:

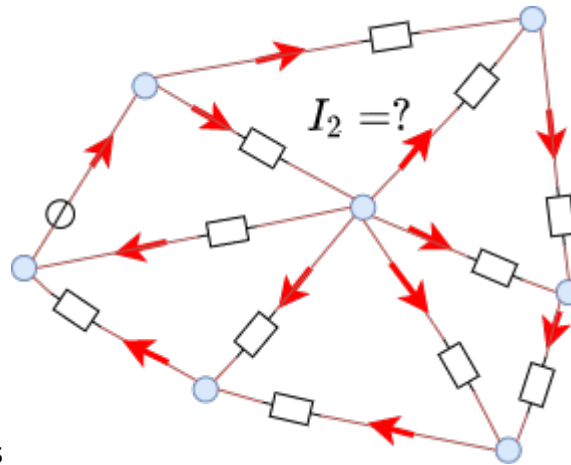


Fig. 8: Reference arrows

- **Before the calculation**, the reference arrows for currents and voltages are set arbitrarily, with the following conditions:
  - the generator arrow system - current antiparallel to the voltage arrow - is used for all sources (e.g. all voltage and current sources)
  - the motor arrow system - current parallel to the voltage arrow - is used for all consumers (e.g. all passives like resistors, capacitors, inductors, diodes etc.)
  - for loads, where the direction of the power is not known, the motor arrow system is recommended (e.g. passives, in case what these are part of a machine, like inductors of a motor)
- **After the calculation** means
  - $I > 0$ : The reference arrow reflects the conventional directional sense of the current
  - $I < 0$ : The reference arrow points in the opposite direction to the conventional directional sense of the current
- Reference arrows of the current are drawn **in** the wire if possible.

The reference arrow system



## 2.3 Nodes, Branches and Loops

Explanation of the different network structures  
(Graphs and trees are only needed in later chapters)



### Goals

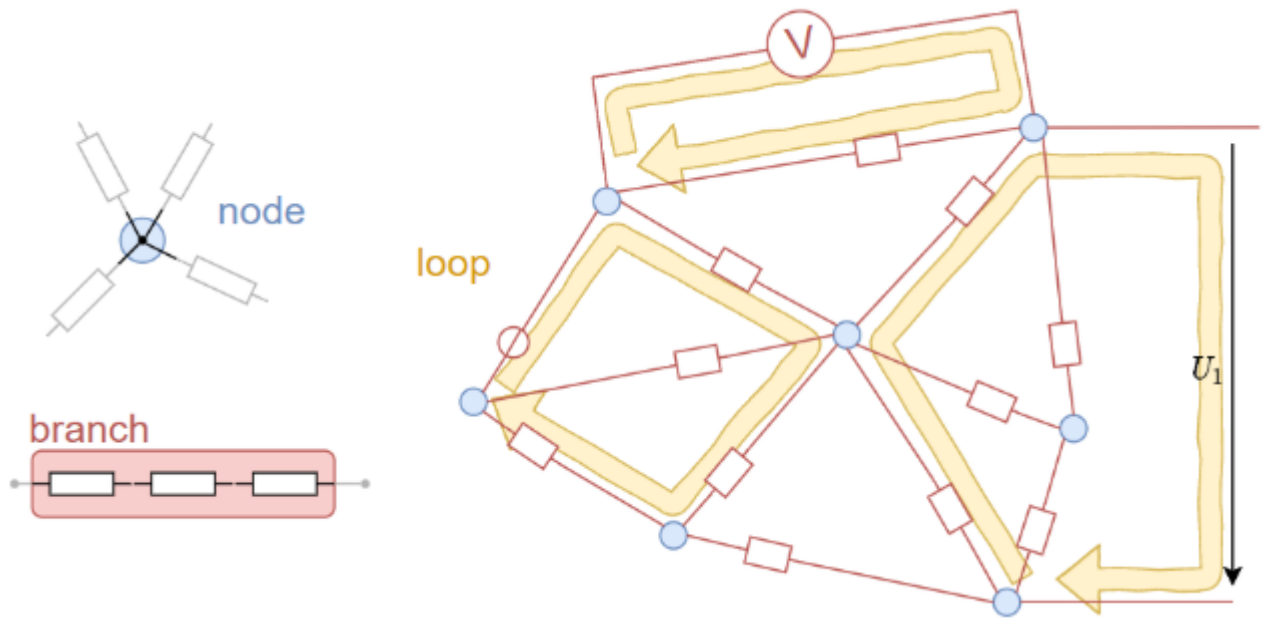
After this lesson you should:

1. Be able to identify the nodes, branches and loops in a circuit.
2. Be able to use them to make a circuit clearer.

Fig. 9: circuitry and mesh



Fig. 10: nodes, branches and loops



Electrical circuits typically have the structure of networks. Networks consist of two elementary structural elements:

1. **Branches** (German: Zweige): Connections between two nodes
2. **Node** (German: Knoten): Connection points of several branches

Please note in the case of electrical circuits:

1. **Branches** contain at least one component.
2. **Nodes** connect more than two branches and can also be spatially extended.

Branches in electrical networks are also called two-pole. Their behaviour is described by current-voltage characteristics and explained in more detail in the chapter [non-ideal\\_sources\\_and\\_two\\_pole\\_networks](#) .

In addition, another term is to be explained:

A **loop** is a closed path in the mesh. This means that a loop begins and ends at the same node and runs over at least one further node.

Since a voltmeter can also be present as a component between two nodes, it is also possible to close a loop by a drawn voltage arrow (cf.  $U_1$  in [figure 10](#)).

Please keep in mind, that usually the entire behaviour of networked circuits almost always changes when a change occurs in one branch or at one node. This is in contrast to other cause-effect relationships, but comparable to changes in other larger networks, e.g. a traffic jam in the road network, due to which other roads experience a higher load. For electrical engineering, this means

that in the case of changing circuits, the focus is often on determining the interrelationships (formulas, current-voltage characteristics) and not on a single numerical value.

### Simplifications

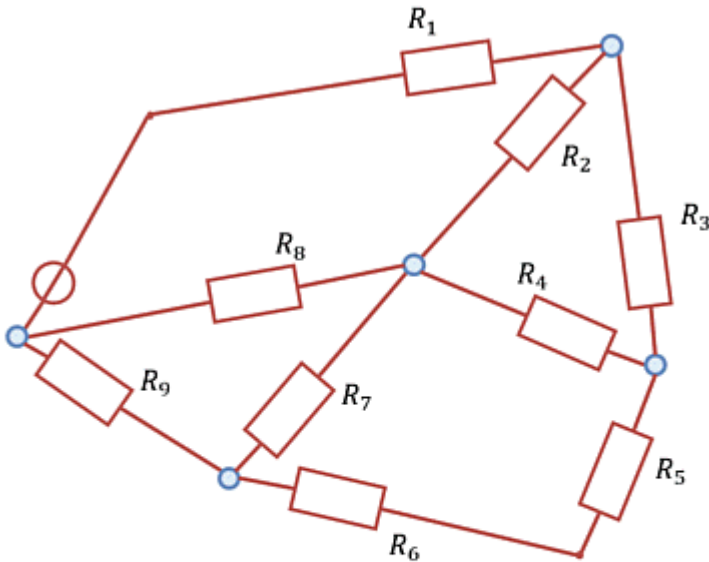
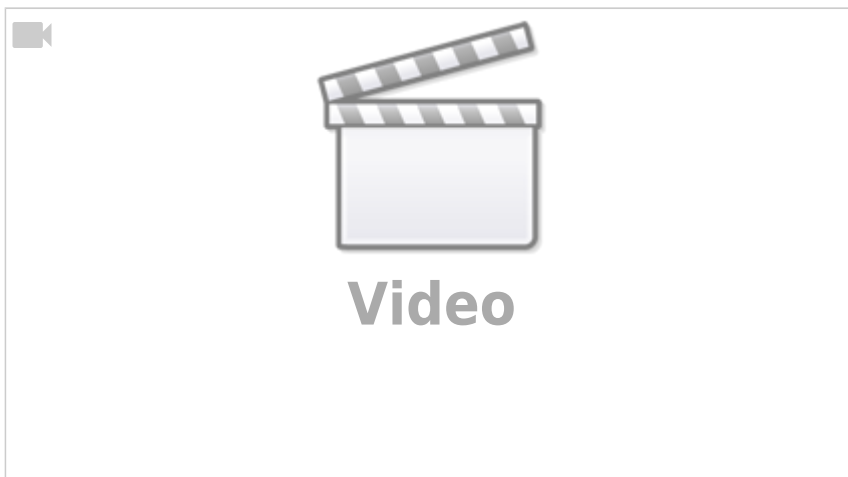


Fig. 11: Example of circuit conversion

With the knowledge of nodes, branches and meshes, circuits can be simplified. Circuits can be reshaped arbitrarily as long as all branches remain at the same nodes after reshaping. The [figure 11](#) shows how such a transformation is possible.

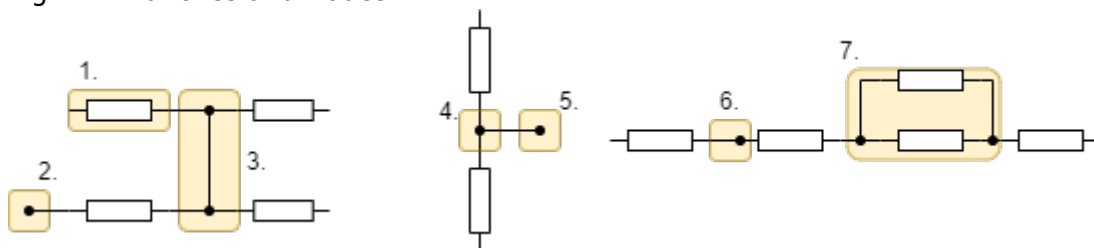
For practical tasks, repeated trial and error can be useful. It is important to check afterwards that the same components are connected to each node as before the transformation.

Further examples can be found in the following video



### Exercise 2.3.1 Branches and Nodes

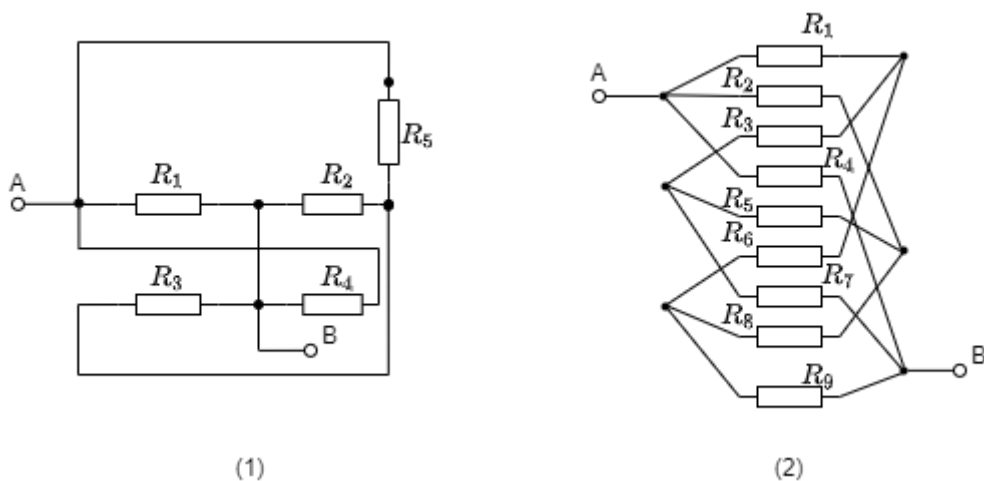
Fig. 12: Branches and Nodes



For the markings in the circuits in figure 12 indicate whether it is a branch, a node, or neither.

### Exercise 2.3.2 Simplifications of circuits

Fig. 13: more Branches and Nodes



Simplify the circuits in figure 13.

## 2.4 Kirchhoff's circuit laws

Representation and application of Kirchhoff's circuit laws



### Goals

After this lesson you should: Know and be able to apply Kirchhoff's circuit laws (Kirchhoff's current law and Kirchhoff's voltage law).

## Kirchhoff's current law (Kirchhoff's first law)

The Kirchhoff's current law (Kirchhoff's nodal rule, in German: Knotensatz) formulates in the language of mathematics the experience that no charge "accumulations" occur in electrical wires. This is of particular relevance at a network node (figure 14). To formulate the equation at this node, the reference arrows of the currents are all set in the same way. That means: all point away from or towards the node.

### Note:

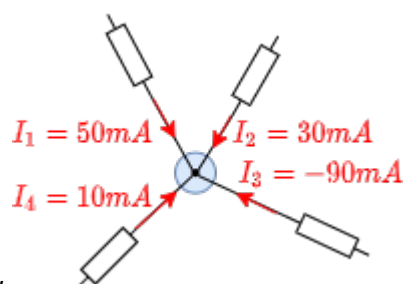


Fig. 14: Kirchhoff's current law

The sum of all currents flowing from the nodes must be zero.

$$\boxed{I_1 + I_2 + I_3 + \dots + I_n = \sum_{x=1}^n I_x = 0}$$

From now on, the following definition applies:

- Currents whose current arrows point towards the node are added in the calculation.
- Currents whose current arrows point away from the node are subtracted in the calculation.

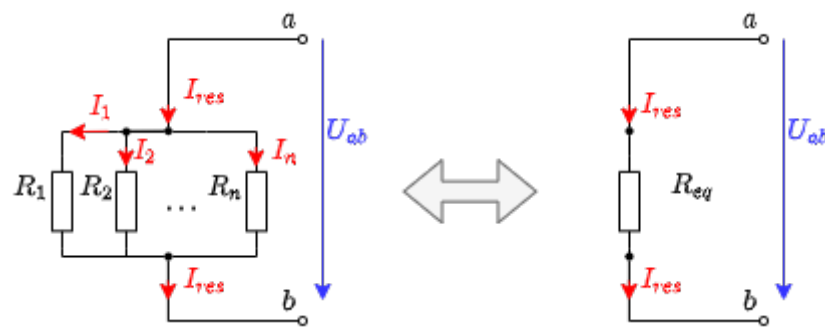


Fig. 15: Parallel connection

### Parallel connection of resistors

From the Kirchhoff's current law, the total resistance for resistors connected in parallel can be derived (figure 15):

Since the same voltage  $U_{ab}$  is dropped across all resistors, using the Kirchhoff's current law:

$$\frac{U_{ab}}{R_1} + \frac{U_{ab}}{R_2} + \dots + \frac{U_{ab}}{R_n} = \frac{U_{ab}}{R_{\text{substitute}}}$$

$$\Rightarrow \frac{1}{R_1} + \frac{1}{R_2} + \dots + \frac{1}{R_n} = \frac{1}{R_{\text{substitute}}} = \sum_{x=1}^n \frac{1}{R_x}$$

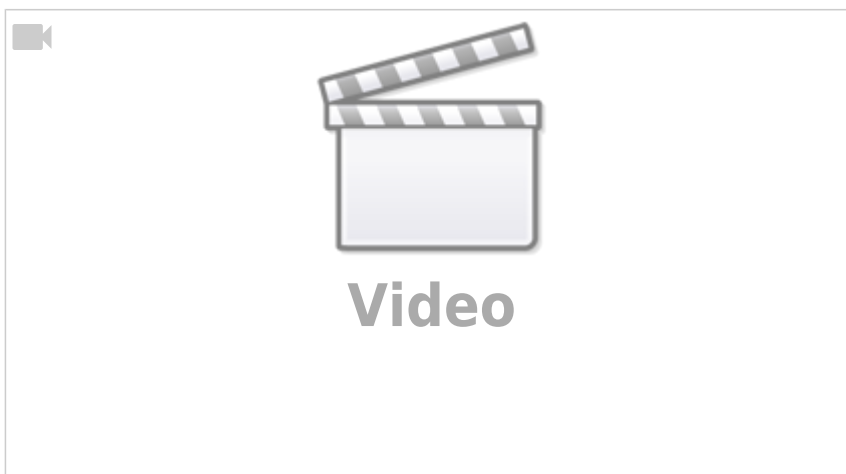
Thus, for resistors connected in parallel, the equivalent conductance  $G_{eq}$  (German: Ersatzleitwert) is the sum of the individual conductances:  $G_{eq} = \sum_{x=1}^n G_x$

In general: the equivalent resistance of a parallel circuit is always smaller than the smallest resistance.

Especially for two parallel resistors  $R_1$  and  $R_2$  applies:  $R_{eq} = \frac{R_1 \cdot R_2}{R_1 + R_2}$

### Current divider

Derivation of the current divider with further considerations



The current divider rule can also be derived from the Kirchhoff's current law. This states that, for resistors  $R_1, \dots, R_n$  their currents  $I_1, \dots, I_n$  behave just like the conductances  $G_1, \dots, G_n$  through which they flow.

$$\frac{I_1}{I_g} = \frac{G_1}{G_g}$$

$$\frac{I_1}{I_2} = \frac{G_1}{G_2}$$

### Exercise 2.4.1 Current divider

Fig. 16: Current divider

In the simulation in [figure 16](#) a current divider can be seen. The resistances are just inversely proportional to the currents flowing through it.

1. What currents would you expect in each branch if the input voltage were lowered from  $5V$  to  $3.3V$ ? After thinking about your result, you can adjust the Voltage (bottom right of the simulation) accordingly by moving the slider.
2. Think about what would happen if you flipped the switch before you flipped the switch. After you flip the switch, how can you explain the current in the branch?

### Exercise 2.4.2 two resistors

Two resistors of  $18\Omega$  and  $2\Omega$  are connected in parallel. The total current of the resistors is  $3A$ .

Calculate the total resistance and how the currents is split to the branches.

## Kirchhoff's voltage law (Kirchhoff's second law)

Also the Kirchhoff's voltage law describes in mathematical language another practical experience: Between two points  $1$  and  $2$  of a network there is only one potential difference. Thus the potential difference is in particular independent of the way a network is traversed between the two points  $1$  and  $2$ . This can be described by considering the meshes.

**Note:**

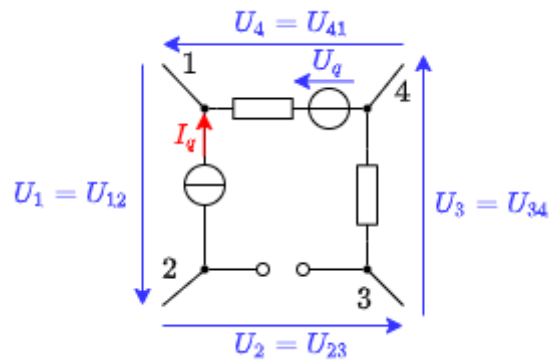


Fig. 17: Maschensatz

In any mesh of an electrical circuit, the sum of all voltages is always zero (figure 17):

$$\boxed{U_{\{1\}} + U_{\{2\}} + \dots + U_{\{n\}} = \sum_{x=1}^n U_x = 0}$$

To calculate this, a sense of orbit must be specified. This can be chosen arbitrarily at first. However, the following specification then applies: Stresses whose stress arrows point in the direction of circulation are added in the calculation. Stresses whose arrows point against the direction of rotation are subtracted in the calculation.

Zur Berechnung muss ein Umlaufsinn festgelegt werden. Diese kann zunächst beliebig gewählt werden. Es gilt dann aber folgende Festlegung:

- Spannungen, deren Spannungspfeile im Umlaufsinn zeigen, werden in der Rechnung addiert.
- Spannungen, deren Spannungspfeile gegen Umlaufsinn zeigen, werden in der Rechnung subtrahiert.

### Beweis des Maschensatzes

Drückt man die Spannungen in figure 17 durch die Potentiale in den Knotenpunkten aus, so ergibt sich:

$$U_{\{12\}} = \varphi_1 - \varphi_2$$

$$U_{\{23\}} = \varphi_2 - \varphi_3$$

$$U_{\{34\}} = \varphi_3 - \varphi_4$$

$$U_{\{41\}} = \varphi_4 - \varphi_1$$

Werden diese Spannungen in die Maschengleichung eingesetzt, so wird

$$U_{\{12\}} + U_{\{23\}} + U_{\{34\}} + U_{\{41\}} = 0$$

### Reihenschaltung von Widerständen

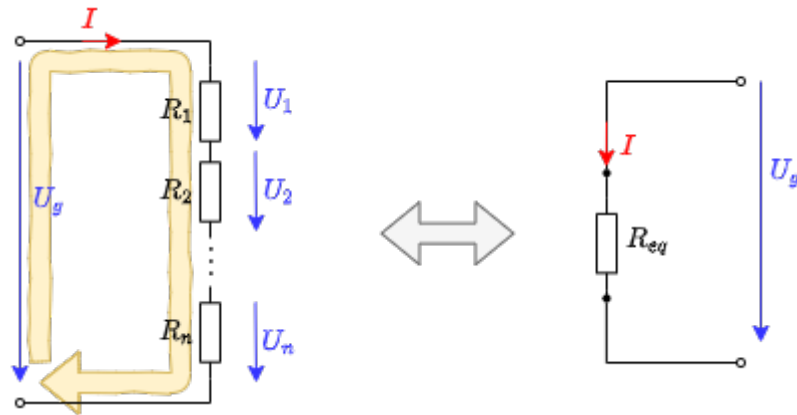


Fig. 18: Reihenschaltung

Über den Maschensatz lässt sich der Gesamtwiderstand einer Reihenschaltung (<imref BildNr13>) leicht ermitteln:

$$U_1 + U_2 + \dots + U_n = U_g$$

$$R_1 \cdot I_1 + R_2 \cdot I_2 + \dots + R_n \cdot I_n = R_{\text{ersatz}} \cdot I$$

Da bei der Reihenschaltung der Strom durch alle Widerstände gleich sein muss - also  $I_1 = I_2 = \dots = I$  - ergibt sich:

$$R_1 + R_2 + \dots + R_n = R_{\text{ersatz}} = \sum_{x=1}^n R_x$$

Allgemein gilt: Der Ersatzwiderstand einer Reihenschaltung ist stets größer als der größte Widerstand.

### Exercise 2.4.3 drei Widerstände

Gegeben sind drei gleiche Widerstände mit je  $20\text{k}\Omega$ .

Welche Werte sind durch beliebige Verschaltung von einem bis drei Widerstände realisierbar?

## 2.5 unbelasteter und belasteter Spannungsteiler

### Der unbelastete Spannungsteiler

Herleitung des unbelasteten Spannungsteilers

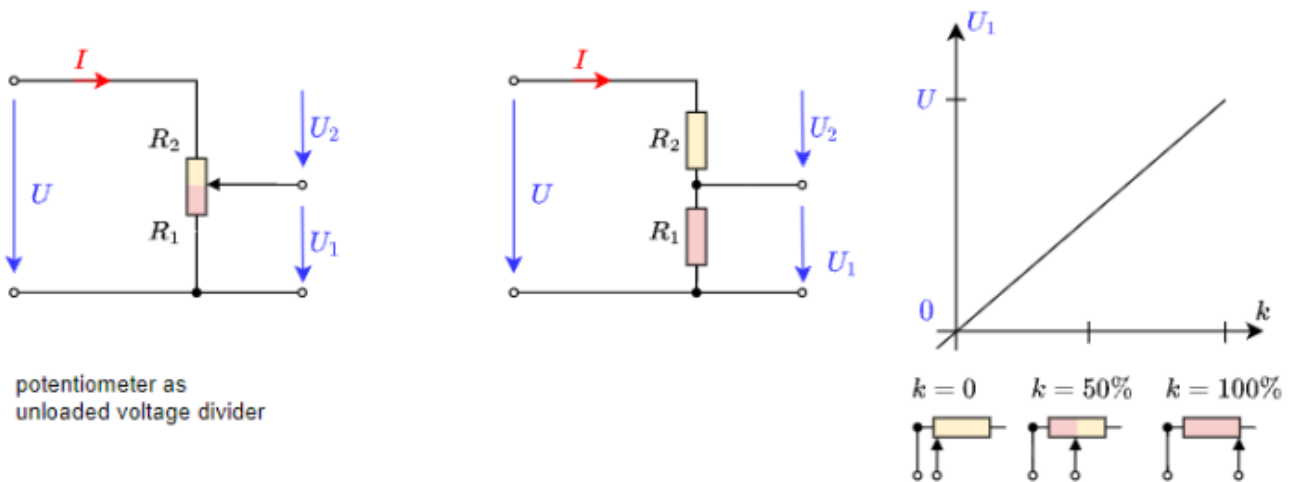


**Ziele**

Nach dieser Lektion sollten Sie:

1. den belasteten und unbelasteten Spannungsteiler auseinanderhalten können.
2. die Unterschiede zwischen belasteten und unbelasteten Spannungsteiler beschreiben können.

Fig. 21: unbelasteter Spannungsteiler



Speziell die Hintereinanderschaltung von zwei Widerständen  $R_1$  und  $R_2$  soll nun näher betrachtet werden. Diese Situation tritt in vielen praktischen Anwendungen auf (z.B. Potentiometer). In [figure 21](#) ist diese Schaltung dargestellt.

Über die Maschengleichung ergibt sich

$$\boxed{\frac{U_1}{U} = \frac{R_1}{R_1 + R_2}}$$

Das Verhältnis  $k = \frac{R_1}{R_1 + R_2}$  entspricht auch der Position an einem Potentiometer.

### Exercise 2.5.1 unbelasteter Spannungsteiler

Fig. 22: unbelasteter Spannungsteiler

In der Simulation in [figure 22](#) ist ein unbelasteter Spannungsteiler in Form eines Potentiometers zu sehen. Die ideale Spannungsquelle stellt  $5V$  bereit. Das Potentiometer hat einen Gesamtwiderstand von  $1k\Omega$ . In der dargestellten Konfiguration ist dieser auf  $500\Omega$  und  $500\Omega$  ausgeteilt.

1. Welche Spannung  $U_{out}$  erwarten Sie, wenn der Schalter geschlossen würde? Nachdem Sie Ihr Ergebnis überlegt hatten, können Sie dieses durch Schließen des Schalters überprüfen.
2. Überlegen Sie sich zunächst was passiert wenn Sie durch Verschieben des Schleifers ("Zwischenabgriff") die Aufteilung der Widerstände verändern würden? Durch den Slider unten rechts neben der Simulation lässt sich Ihre Vermutung überprüfen.
3. Bei welcher Stellung erhalten Sie ein  $U_{out}$  von  $3,5V$ ?

### Der belastete Spannungsteiler

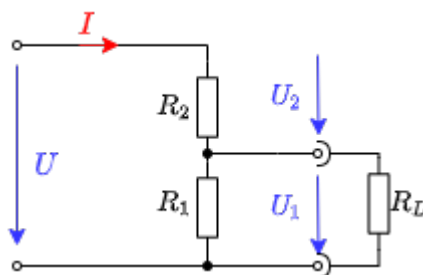


Fig. 23: belasteter Spannungsteiler

Wird - im Gegensatz zum obigen, unbelasteten Spannungsteiler - an den Ausgangsklemmen eine Last  $R_L$  angeschlossen ([figure 23](#)), so beeinflusst diese die Ausgangsspannung.

Durch eine Schaltungsanalyse ergibt sich:

$$U_1 = \frac{U}{1 + \frac{R_2}{R_L} + \frac{R_2}{R_1}}$$

bzw. an einem Potentiometer mit  $k$  und  $R_s = R_1 + R_2$ :

$$U_1 = \frac{k \cdot U}{1 + k \cdot (1-k) \cdot \frac{R_s}{R_L}}$$

Fig. 24: Spannungsverlauf des belasteten Spannungsteiler



figure 24 zeigt in welchem Verhältnis die ausgegebene Spannung  $U_1$  zur eingehenden Spannung  $U$  steht (y-Achse), in Bezug zum Verhältnis  $k = \frac{R_1}{R_1 + R_2}$ . Prinzipiell gleicht dies der figure 21, hat aber hier noch eine weitere Dimension: Es sind mehrere Graphen eingezeichnet. Diese unterscheiden sich um das Verhältnis  $\frac{R_s}{R_L}$ .

Was sagt dieses Diagramm nun aus? Dies soll an einem Beispiel gezeigt werden. Zunächst wird angenommen, dass ein unbelasteter Spannungsteiler mit  $R_2 = 4 \text{ k}\Omega$  und  $R_1 = 6 \text{ k}\Omega$ , sowie eine Eingangsspannung von  $10\text{V}$  vorliegt. Damit ist  $k = 0,6$ ,  $R_s = 10\text{k}\Omega$  und  $U_1 = 6\text{V}$ .

Nun wird dieser Spannungsteiler mit einem Lastwiderstand belastet. Liegt dieser bei  $R_L = R_1 = 10 \text{ k}\Omega$ , so reduziert sich  $k$  auf etwa  $0,48$  und  $U_1$  auf  $4,8\text{V}$  - die Ausgangsspannung bricht also ein. Bei  $R_L = 4\text{k}\Omega$  wird  $k$  noch kleiner zu  $k=0,375$  und  $U_1 = 3,75\text{V}$ . Ist die Last  $R_L$  nur noch ein Zehntel des Widerstandes  $R_s = R_1 + R_2$ , so wird  $k=0,18$  und  $U_1=1,8\text{V}$ . Aus der Ausgangsspannung des unbelasteten Spannungsteilers ( $6\text{V}$ ) wurde damit weniger als ein Drittel.

### Exercise 2.5.2 belasteter Spannungsteiler

Ermitteln Sie aus der Schaltung in figure 23 die obige Gleichung  $U_1 = \frac{k \cdot U}{1 + k \cdot (1-k) \cdot \frac{R_s}{R_L}}$  mit  $k = \frac{R_1}{R_1 + R_2}$  und  $R_s = R_1 + R_2$ .

### Exercise 2.5.3 belasteter Spannungsteiler

Fig. 25: belasteter Spannungsteiler

In der Simulation in figure 25 ist ein belasteter Spannungsteiler in Form eines Potentiometers zu sehen. Die ideale Spannungsquelle stellt  $5\text{V}$  bereit. Das Potentiometer hat einen Gesamtwiderstand von  $1\text{k}\Omega$ . In der dargestellten Konfiguration ist dieser auf  $500 \text{ }\Omega$  und  $500 \text{ }\Omega$  aufgeteilt. Der Lastwiderstand hat eine Größe von  $R_L = 1$

k\Omega\$.

1. Welche Spannung  $U_{OUT}$  erwarten Sie, wenn der Schalter geschlossen würde? Hier müssen Sie etwas rechnen! Nachdem Sie Ihr Ergebnis berechnet hatten, können Sie dieses durch Schließen des Schalters überprüfen.
2. Bei welcher Aufteilung erhalten Sie  $3,5V$ . Ermitteln Sie das Ergebnis zunächst zur eine Rechnung.  
Überprüfen sie es anschließend durch Verschieben des Slider unten rechts neben der Simulation.

### Exercise 2.5.4 Anwendung des belasteten Spannungsteilers - Motor

Fig. 26: Skizze des Aufbaus



Sie wollten einen Kleinstmotor für einen kleinen Roboter testen. Anhand des Maximalstroms und des Innenwiderstands ( $R_M = 5\Omega$ ) errechnen Sie, dass dieser mit maximal  $U_{M,max} = 4V$  betrieben werden kann. Ein Kollege meinte, dass Sie  $4V$  über den Aufbau in [figure 26](#) aus einer  $9V$ -Block Batterie erhalten können.

1. Berechnen Sie zunächst den Maximalstrom  $I_{M,max}$  des Motors.
2. Zeichnen Sie die entsprechende elektrische Schaltung mit angeschlossenem Motor als ohmschen Widerstand.
3. Beim Maximalstrom soll der Motor ein Drehmoment von  $M = 100mNm$  abgeben können. Welches Drehmoment würde der Motor abgeben, wenn Sie den Aufbau so umsetzen? (Annahme: Das Drehmoment des Motors steigt proportional zum Motorstrom).
4. Wie könnte ein Aufbau mit Potentiometer aussehen, mit dem man tatsächlich eine Spannung zwischen  $0,5V$  bis  $4V$  am Motor einstellen kann? Welchen Widerstandswert muss das Potentiometer haben?
5. Bauen Sie Ihre Schaltung in untenstehender Simulation auf und testen Sie diese. Eine Einführung zur Online-Simulation finden Sie unter: [Online Circuit Simulator](#).

Für diesen Aufbau benötigen Sie im wesentlichen folgende Tipps:

1. Das Verlegen von Verbindungen lässt sich über das Menü **Zeichnen** » **Verbindung einfügen (wire)** aktivieren. Anschließend muss auf den Startpunkt geklickt und anschließend bis zum Endpunkt gezogen werden.
2. Beachten Sie, dass Verbindungen immer nur an Verbindungspunkten angeschlossen werden können. Der rot markierte Knoten am  $5\Omega$ -Widerstand zeigt an, dass dieser nicht verbunden ist. Dieser könnte im ein Rasterschritt nach links verschoben werden, da dort ein Verbindungspunkt liegt.
3. Mit Druck auf die **<ESC>** Taste lässt sich das Einfügen von Komponenten deaktivieren.

- 4. Mit Rechtsklick auf eine Komponente lässt sich diese kopieren oder Werte wie der Widerstand über Bearbeiten... ändern.

Fig. 27: Simulation für Motoraufbau

### Exercise 2.5.5 Beispiele der Berechnung von belasteten Spannungsteilern

Spannungsteiler, Vorwiderstand (Längswiderstand) und Nebenwiderstand



Übung zum Spannungsteiler



### Exercise 2.5.6 Beispiel eines belasteten Spannungsteiler: Erklärung ohne Rechnung



## 2.6 Stern-Dreieck-Schaltung

Fig. 28: Beispiel für einen Stromkreis

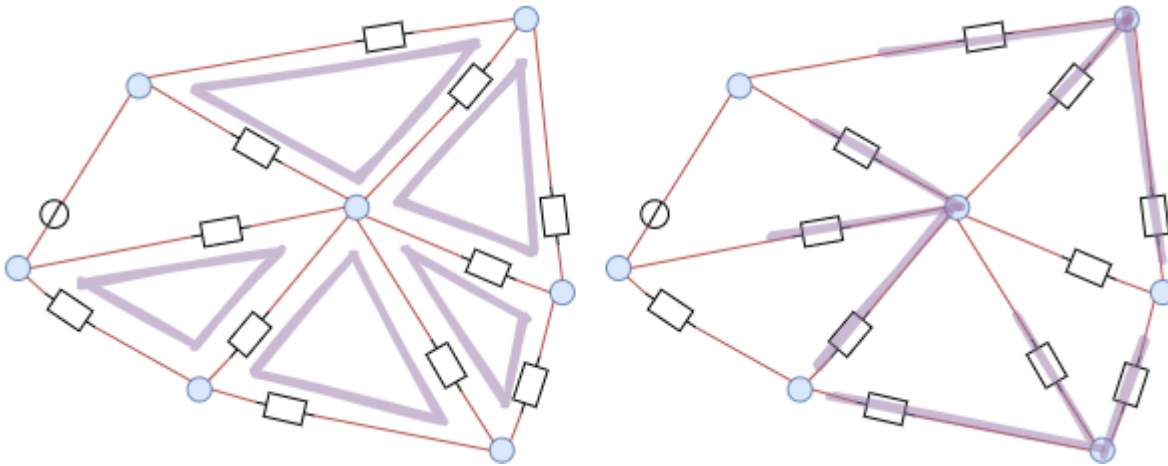


Fig. 29: Umwandlung Parallelschaltung in Reihenschaltung

### Ziele

Nach dieser Lektion sollten Sie:

1. dreieckige Maschen in eine Sternform (und umgekehrt) umwandeln können

Zu Beginn des Kapitels wurde ein Beispiel eines Netzwerks gezeigt ([figure 1](#)). Dabei kommt man aber mit dem Knoten- und Maschensatz nicht unmittelbar zur Lösung. Jedoch ist nach sichtbar, dass dort viele dreieckförmige Maschen bzw. sternförmige Knoten vorhanden sind ([figure 28](#)). Auf diese soll nun tiefer eingegangen werden.

Dazu zunächst ein Resume aus den bisherigen Erkenntnissen. Über den Knoten- und Maschensatz wurde klar, dass sowohl aus einer Reihen-, als auch aus einer Parallelschaltung ein Ersatzwiderstand ermittelt werden kann. Betrachtet man den Ersatzwiderstand als eine Blackbox - d.h. der innere Ausbau ist unbekannt - so könnte dieser also durch beide Schaltungsarten interpretiert werden ([figure 29](#)).

Wie hilft uns das nun im Falle einer dreieckförmigen Masche?

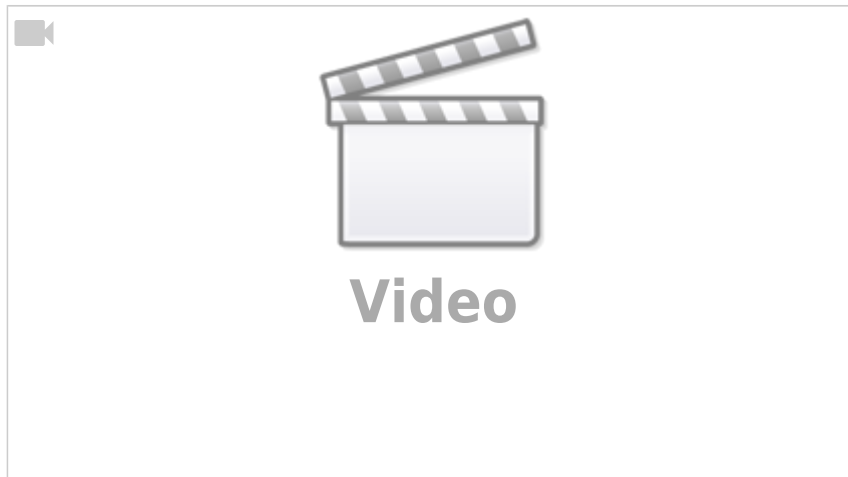
Auch in für diesen Fall kann man eine Blackbox bereitstellen. Diese müsste sich aber immer gleich verhalten, wie die dreieckförmige Masche, also beliebige, angelegte Spannungen sollten gleiche Ströme erzeugen.

Anders gesagt: Die zwischen zwei Klemmen messbaren Widerstände müssen für beide Schaltungen identisch sein.

Dazu sollen nun die verschiedenen Widerstände zwischen den einzelnen Knoten  $a$ ,  $b$  und  $c$  betrachtet werden, siehe [figure 30](#). Es soll herausgefunden werden wie aus einer Stern-Schaltung eine Dreieck-Schaltung entwickelt werden kann (und umgekehrt).

Fig. 30: Stern-Dreieck-Transformation

## Berechnung der Umformungsformeln: Sternschaltung in Dreieckschaltung



### Dreieckschaltung

Bei der Dreieckschaltung sind die 3 Widerstände  $R_{ab}^1$ ,  $R_{bc}^1$  und  $R_{ca}^1$  in einer Masche verschalten.

Für die Widerstände zwischen den zwei Anschlüssen (z.B.  $a$  und  $b$ ) wird die dritte ( $c$ ) als nicht angeschlossen betrachtet. Damit ergibt sich eine Parallelschaltung des direkten Sternwiderstands  $R_{ab}^1$  mit der Reihenschaltung der anderen beiden Sternwiderstände  $R_{ca}^1 + R_{bc}^1$ :

$$R_{ab} = R_{ab}^1 \parallel (R_{ca}^1 + R_{bc}^1)$$

$$R_{ab} = \frac{R_{ab}^1 \cdot (R_{ca}^1 + R_{bc}^1)}{R_{ab}^1 + (R_{ca}^1 + R_{bc}^1)} = \frac{R_{ab}^1 \cdot (R_{ca}^1 + R_{bc}^1)}{R_{ab}^1 + R_{ca}^1 + R_{bc}^1}$$

Gleiches gilt für die anderen Anschlüssen. Damit ergibt sich:

$$\begin{aligned} R_{ab} &= \frac{R_{ab}^1 \cdot (R_{ca}^1 + R_{bc}^1)}{R_{ab}^1 + R_{ca}^1 + R_{bc}^1} \\ R_{bc} &= \frac{R_{bc}^1 \cdot (R_{ab}^1 + R_{ca}^1)}{R_{ab}^1 + R_{ca}^1 + R_{bc}^1} \\ R_{ca} &= \frac{R_{ca}^1 \cdot (R_{bc}^1 + R_{ab}^1)}{R_{ab}^1 + R_{ca}^1 + R_{bc}^1} \end{aligned} \tag{2.6.1}$$

### Sternschaltung

Die Widerstände zwischen den Anschlüssen müssen nun denen bei der Sternschaltung gleichen. Auch bei der Sternschaltung sind 3 Widerstände verschalten, diese aber in Sternform. Die Sternwiderstände sind also alle mit einem weiteren Knoten  $0$  in der Mitte verbunden:  $R_{a0}^1$ ,  $R_{b0}^1$  und  $R_{c0}^1$

Auch hier wird vorgegangen wie bei der Dreieckschaltung: der Widerstand zwischen zwei Anschlüssen (z.B.  $a$  und  $b$ ) wird ermittelt, der weitere Anschluss ( $c$ ) wird als offen betrachtet. Der Widerstand des weiteren Anschlusses ( $R_{c0}^1$ ) ist nur an einer Seite angeschlossen. Dadurch fließt durch diesen kein Strom - er ist damit nicht zu berücksichtigen. Es ergibt sich:

$$\begin{aligned} R_{ab} &= R_{a0}^1 + R_{b0}^1 \\ R_{bc} &= R_{b0}^1 + R_{c0}^1 \\ R_{ca} &= R_{c0}^1 + R_{a0}^1 \end{aligned} \tag{2.6.2}$$

Aus den Gleichungen (2.6.1) und (2.6.2) erhält man:

$$\begin{aligned} R_{ab} &= \frac{R_{ab} \cdot (R_{ca} + R_{bc})}{R_{ab} + R_{ca} + R_{bc}} = R_{a0} + R_{b0} \tag{2.6.3} \\ R_{bc} &= \frac{R_{bc} \cdot (R_{ab} + R_{ca})}{R_{ab} + R_{ca} + R_{bc}} = R_{b0} + R_{c0} \tag{2.6.4} \\ R_{ca} &= \frac{R_{ca} \cdot (R_{bc} + R_{ab})}{R_{ab} + R_{ca} + R_{bc}} = R_{c0} + R_{a0} \tag{2.6.5} \end{aligned}$$

Die Gleichungen (2.6.3) bis (2.6.5) lassen sich nun so geschickt zusammenfassen, dass auf einer Seite nur noch ein Widerstand steht.

Eine Variante ist die Formeln als  $\frac{1}{2} \cdot ((2.6.3) + (2.6.4) - (2.6.5))$  bzw.  $\frac{1}{2} \cdot (R_{ab} + R_{bc} - R_{ca})$  zu kombinieren. Damit ergibt sich  $R_{b0}$

$$\begin{aligned} \frac{1}{2} \cdot \left( \frac{R_{ab} \cdot (R_{ca} + R_{bc})}{R_{ab} + R_{ca} + R_{bc}} + \frac{R_{bc} \cdot (R_{ab} + R_{ca})}{R_{ab} + R_{ca} + R_{bc}} - \frac{R_{ca} \cdot (R_{bc} + R_{ab})}{R_{ab} + R_{ca} + R_{bc}} \right) &= \frac{1}{2} \cdot \left( R_{a0} + R_{b0} + R_{b0} + R_{c0} - R_{c0} - R_{a0} \right) \\ &= \frac{1}{2} \cdot \left( \frac{R_{ab} \cdot (R_{ca} + R_{bc}) + R_{bc} \cdot (R_{ab} + R_{ca}) - R_{ca} \cdot (R_{bc} + R_{ab})}{R_{ab} + R_{ca} + R_{bc}} \right) \\ &= \frac{1}{2} \cdot \left( 2 \cdot R_{b0} \right) \\ &= R_{b0} \end{aligned}$$

Auf ähnlichem Weg kann man nach  $R_{a0}$  und  $R_{c0}$ , sowie mit etwas abgewandeltem Ansatz auch auf  $R_{ab}$ ,  $R_{bc}$  und  $R_{ca}$  auflösen.

## Stern-Dreieck-Transformation

### Merke:

Soll von einer **Dreieckschaltung in eine Sternschaltung** umgewandelt werden, so sind die Sternwiderstände ermittelbar über:

$$\begin{aligned} \text{Sternwiderstand} &= \frac{\text{Produkt der am Anschluss x liegenden Dreieckwiderstände}}{\text{Summe aller Dreieckwiderstände}} \end{aligned}$$

Soll von einer **Sternschaltung in eine Dreieckschaltung** umgewandelt werden, so sind die Dreieckwiderstände ermittelbar über:

$$\begin{aligned} \text{Dreieckwiderstand} &= \frac{\text{Summe aller Produkte zwischen zwei unterschiedlichen Sternwiderständen}}{\text{Dreieckwiderstände}} \end{aligned}$$





## 2.7 Gruppenschaltung von Widerständen

### Ziele

Nach dieser Lektion sollten Sie:

1. Schaltungen, welche nur aus Widerständen bestehen, vereinfachen können.
2. die Spannungen und Ströme in Schaltungen mit einer Spannungsquelle und mehreren Widerständen berechnen können.
3. symmetrische Schaltungen vereinfachen können.

In diesem Unterkapitel wird auf eine Methodik eingegangen, welche beim Umformen von Schaltungen helfen soll. In Unterkapitel [2.6 Stern-Dreieck-Schaltung](#) wurde gegen Ende bereits ein Netzwerk so umgeformt, dass es keine dreieckigen Maschen mehr enthält. Nun soll dieses Vorgehen systematisiert werden. Ausgangspunkt sind Aufgaben, bei denen für ein Widerstandsnetzwerk der Gesamtwiderstand, Gesamtstrom oder die Gesamtspannung berechnet werden muss.

### einfaches Beispiel

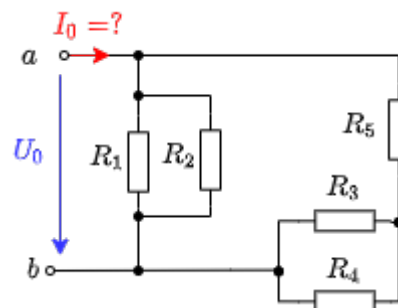


Fig. ##: Beispiel für einen Stromkreis

Ein Beispiel für eine solche Schaltung ist in [figure ##](#) gegeben. Hier ist  $I_0$  gesucht. Dieser Strom kann über die (gegebene) Spannung  $U_0$  und den Gesamtwiderstand zwischen den Klemmen  $a$  und  $b$  ermittelt werden. Gesucht ist also  $R_{ab}$ .

Wie bereits in den vorherigen Unterkapitel beschrieben, können hier auch Teilschaltung schrittweise

in Ersatzwiderstände umgewandelt werden. Wichtig dabei ist, dass diese Teilschaltungen zur Umwandlung in Ersatzwiderstände immer nur zwei Anschlüsse (= zwei Knoten zur "Außenwelt") haben dürfen.

Fig. ##: Schrittweise Lösung des Beispiels

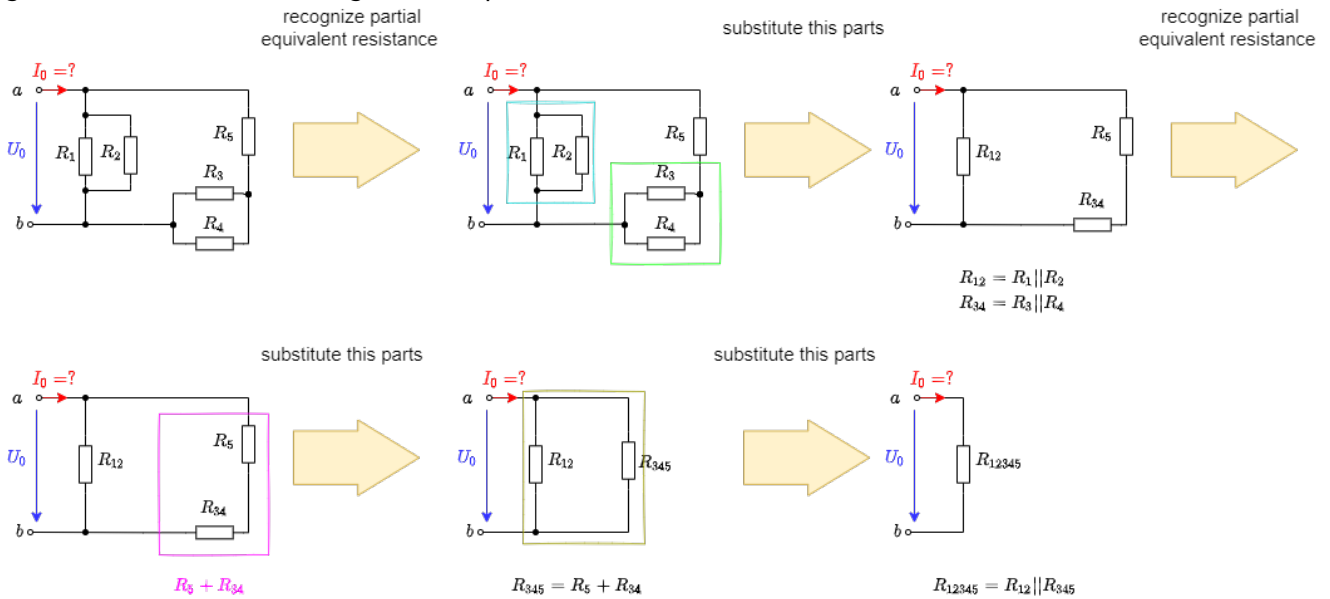


figure ## zeigt die schrittweise Umwandlung der Ersatzwiderstände an diesem Beispiel. Als Ergebnis des Ersatzwiderstands erhält man:

$$R_g = R_{12345} = R_{12} || R_{345} = R_{12} || (R_3 + R_{45}) = (R_1 || R_2) || (R_3 + R_4 || R_5) = \frac{\frac{R_1 \cdot R_2}{R_1 + R_2} \cdot (R_3 + \frac{R_4 \cdot R_5}{R_4 + R_5})}{\frac{R_1 \cdot R_2}{R_1 + R_2} + R_3 + \frac{R_4 \cdot R_5}{R_4 + R_5}} \quad \quad \quad \bigg| \cdot \frac{(R_1 + R_2) \cdot (R_4 + R_5)}{(R_1 + R_2) \cdot (R_4 + R_5)}$$

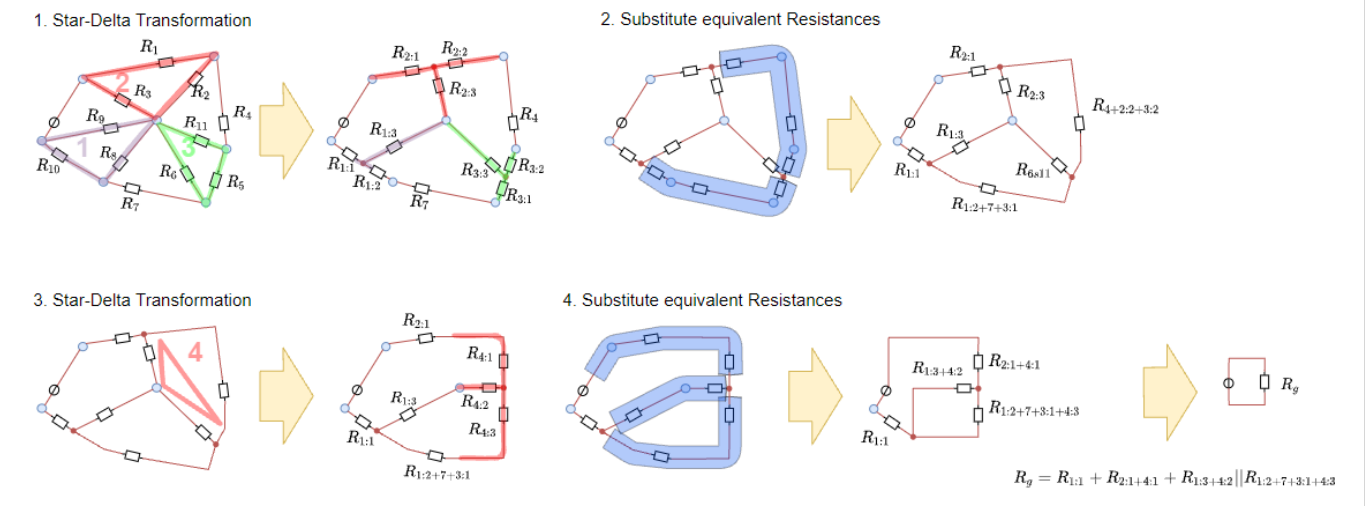
$$= \frac{R_1 \cdot R_2 \cdot (R_3 + \frac{R_4 \cdot R_5}{R_4 + R_5}) \cdot (R_4 + R_5)}{R_1 \cdot R_2 \cdot (R_4 + R_5) + R_3 \cdot (R_1 + R_2) \cdot (R_4 + R_5) + R_4 \cdot R_5 \cdot (R_1 + R_2)}$$

$$= \frac{R_1 \cdot R_2 \cdot (R_3 \cdot (R_4 + R_5) + R_4 \cdot R_5)}{R_1 \cdot R_2 \cdot (R_4 + R_5) + R_3 \cdot (R_1 + R_2) \cdot (R_4 + R_5) + R_4 \cdot R_5 \cdot (R_1 + R_2)}$$

### Beispiel mit Dreieck-Stern-Transformation

Mit der Dreieck-Stern-Transformation lässt sich nun auch das anfängliche Beispiel umwandeln. Bei komplizierteren Schaltungen ist die wiederholte Dreieck-Stern-Transformation mit anschließendem Zusammenfassen der Widerstände sinnvoll, solange bis die entstandene Schaltung leicht mit Knoten- und Maschensatz berechenbar wird (figure ##). Hier wird auf eine Rechnung verzichtet - es empfiehlt sich hier mit Zwischenergebnissen für die transformierten Widerständen zu rechnen.

Fig. ##: Umwandlung des Beispiel-Stromkreises



### Beispiel mit Symmetrien in der Schaltung

Ein gewisser Sonderfall betrifft mögliche Symmetrien in Schaltungen. Falls dies3 vorhanden sind, kann eine weitere Vereinfachung vorgenommen werden.

Fig. ##: Beispiel mit Symmetrien in der Schaltung

figure ## zeigt links ein symmetrischen Aufbau eines Netzwerks aus jeweils gleichen Widerständen \$R\$. Zum Verständnigewinn ist in der Mitte in der gleichen Schaltung zusätzlich Schalter und Testpunkte (TP) verbaut, welche die Spannung gegen Masse anzeigen.

Über die Schalter kann nachgeprüft werden, ob ein Strom fließt, falls die jeweiligen Knoten verbunden werden. In der Simulation ist zu sehen, dass dies nicht der Fall ist. Im symmetrischen Aufbau sind diese Knoten jeweils auf dem gleichen Potential.

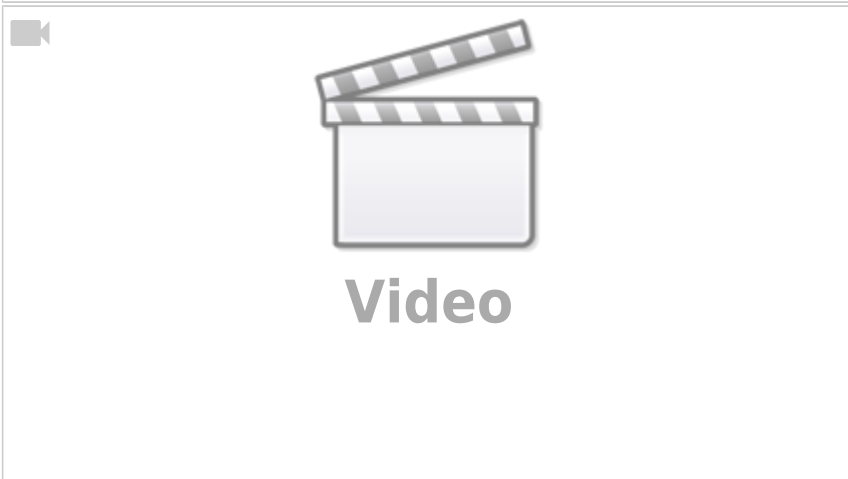
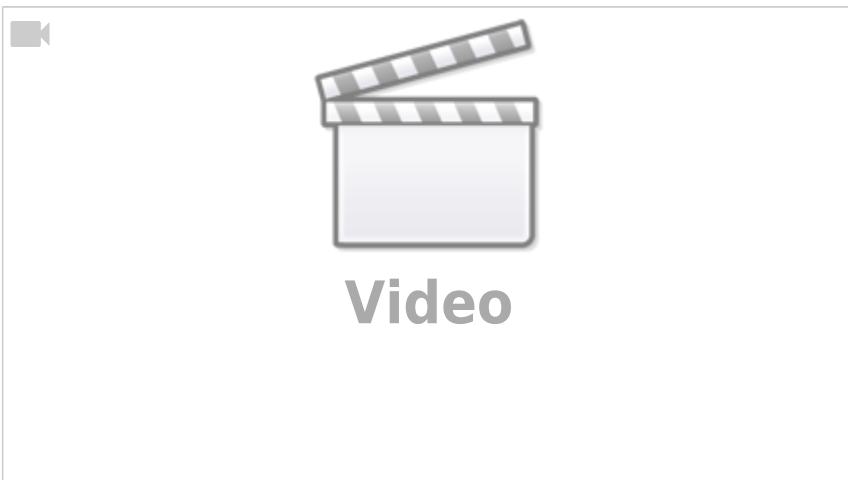
Damit lässt sich die Schaltung auch in die Form bringen, wie sie in figure ## rechts zu sehen ist. Diese Schaltung ist wiederum leicht berechenbar:

$$\begin{aligned} R_g &= R || R + R || R || R || R + R || R || R || R + R || R = \left\{ \frac{1}{2} \right\} \cdot R + \\ &\left\{ \frac{1}{4} \right\} \cdot R + \left\{ \frac{1}{4} \right\} \cdot R + \left\{ \frac{1}{2} \right\} \cdot R = 1,5 \cdot R \end{aligned}$$

### Exercise 2.7.1 Aufgabe zur Schaltungsvereinfachung I



**Exercise 2.7.2 Aufgabe zur Schaltungsvereinfachung II + III**



**Exercise 2.7.3 Aufgabe zur Schaltungsvereinfachung IV**



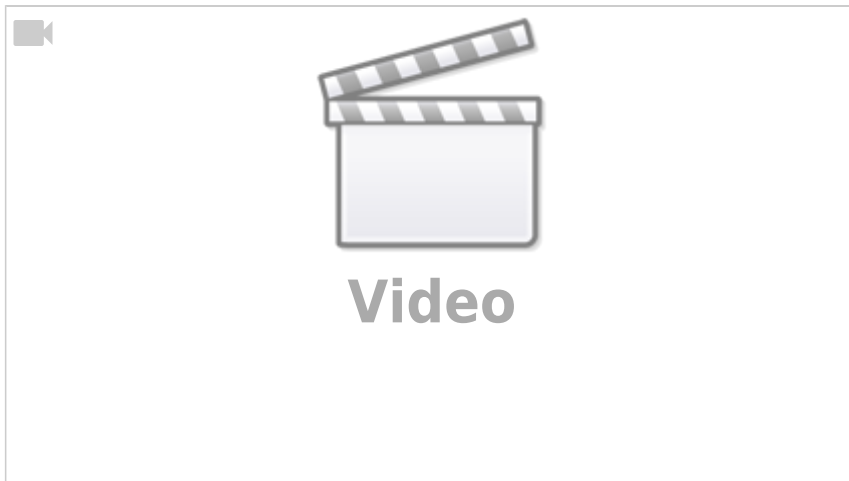
**Exercise 2.7.4 Aufgabe zur Schaltungsvereinfachung IV**



**Exercise 2.7.5 Aufgabe zur Schaltungsvereinfachung V**



**Exercise 2.7.6 Aufgabe zur Schaltungsvereinfachung VI**



### Exercise 2.7.7 Simplifying Circuits (exam task, about 8% of a 60-minute exam, WS2020)



Given is the adjoining circuit with

$$R_1 = 10 \, \Omega$$

$$R_2 = 20 \, \Omega$$

$$R_3 = 5 \, \Omega$$

and the switch  $S$ .

1. Determine the total resistance  $R_{\text{eq}}$  between A and B by summing the resistances with the switch  $S$  open.

Tips for solving

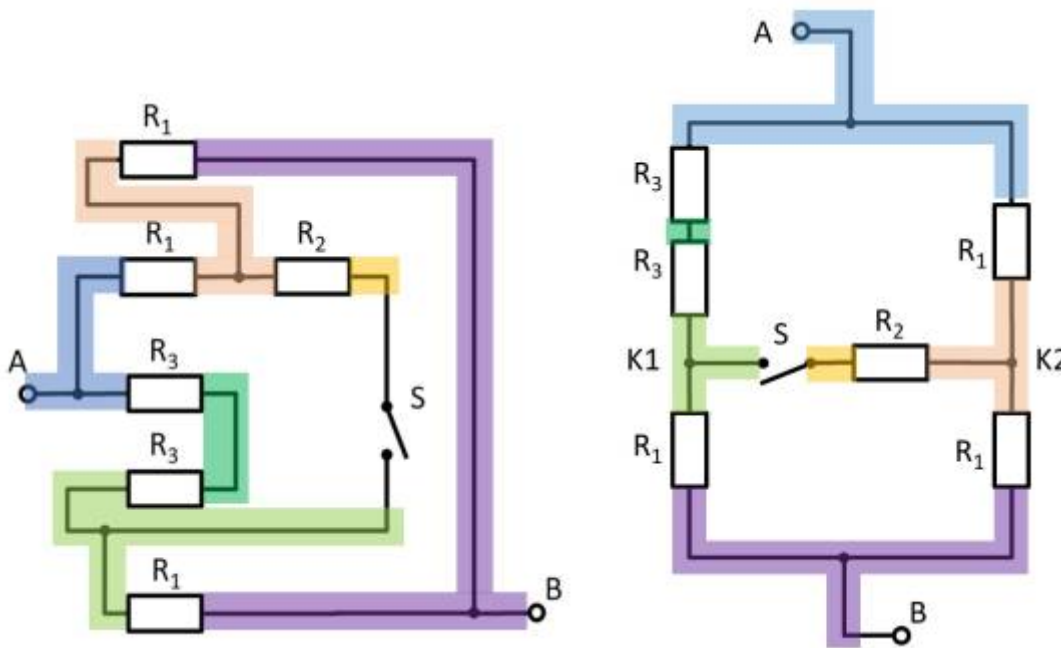
- How can the circuit be better represented or pulled apart?
- The switch should be replaced by an open wire in this case.

Solution

First of all, it is a good idea to reshape the circuit so that the actual structure becomes visible. For this purpose, the individual branches can be highlighted in color and interpreted as a

“conductive rubber band”.

This results in:



Thus  $R_3$  and  $R_3$  can be combined to  $R_{33} = 2 \cdot R_3 = R_1$ , yielding a left and a right voltage divider.

Now it is visible that in the left and right voltage divider, the same potential is at the respective branch, or at the node K1 (green) and K2 (pink).

Thus, the total resistance can be calculated as  $R_{\text{eq}} = (2 \cdot R_1) \parallel (2 \cdot R_1)$ . However, by symmetry, nodes K1 and K2 can also be short-circuited. Thus,  $R_{\text{eq}} = 2 \cdot \left( R_1 \parallel R_1 \right)$  also holds.

Final result

$$R_{\text{eq}} = 2 \cdot \left( 10 \, \Omega \parallel 10 \, \Omega \right) = 10 \, \Omega$$

2. What is the total resistance when switch  $S$  is closed?

Final result

Due to symmetry, the potentials at K1 and K2 are equal. Thus, no current flows across resistor  $R_2$  even when the switch is closed. So the resistance remains the same.

**Exercise 2.7.8: Simplifying Circuits II (written exam task, approx 8% of a 60-minute written exam, WS2020)**



Given is the adjoining circuit with  
 $R_1 = 5 \Omega$   
 $R_2 = 10 \Omega$   
 $R_3 = 20 \Omega$

1. Determine the equivalent resistance  $R_{eq}$  between A and B by summing the resistances.

Tips for solving

- How can the circuit be better represented or pulled apart?
- Switches (when used) should be replaced by an open or closed circuit.
- Does this result in equal potentials at different nodes that can be cleverly used?

Solution

First of all, it is a good idea to reshape the circuit so that the actual structure becomes visible. For this purpose, the individual branches can be highlighted in color and interpreted as a “conductive rubber band”.

It can be seen that the two resistors  $R_3$  at the top left and bottom right are each shorted. The result is thus:





Here it helps to consider the potential of the nodes K1, K2, and K3. For K2, the resistances  $R_2 \parallel R_3 \parallel R_2$  must be combined at the top and bottom. Thus, the same resistance values at the top and bottom result. Also at the nodes K1 and K2 the same resistance values at the top and at the bottom result. With the same ratios of the resistances at K1, K2, and K3 respectively, it can be concluded that no current flows across the resistors  $R_3$  between K1 and K2 or K2 and K3. Thus, these do not contribute to the total resistance. In such a case, a short circuit or an open line can be freely chosen between the relevant nodes for the calculation. In the following, an open line is chosen. Additionally, the parallel strings can be reordered.

Fig. 36: Simulation

This results in:



$$R_{\text{eq}} = \left( \left( 2 \cdot R_2 \right) \parallel \left( 2 \cdot R_2 \right) \right) \parallel \left( \left( 2 \cdot R_3 \right) \parallel \left( 2 \cdot R_3 \right) \parallel \left( 2 \cdot R_3 \right) \right) \parallel R_{\text{eq}} = R_2 \parallel \left( R_3 \parallel \left( 2 \cdot R_3 \right) \right) \parallel R_{\text{eq}} = R_2 \parallel \frac{R_3 \cdot 2 R_3}{R_3 + 2 R_3} \parallel R_{\text{eq}} = R_2 \parallel \frac{2}{3} R_3 \parallel R_{\text{eq}} = \frac{R_2 \cdot \frac{2}{3} R_3}{R_2 + \frac{2}{3} R_3} \parallel R_{\text{eq}} = \frac{R_2 \cdot R_3}{\frac{3}{2} R_2 + R_3} \parallel R_{\text{eq}}$$

Final result

$$R_{\text{eq}} = \frac{10 \text{ } \Omega \cdot 20 \text{ } \Omega}{\frac{3}{2} \cdot 10 \text{ } \Omega + 20 \text{ } \Omega} = 5.7143 \text{ } \Omega \rightarrow 5.7 \text{ } \Omega$$

2. Now let the voltage from A to B be:  $U_{AB} = U_0 = 20 \text{ V}$ . What is the current  $I$ ?

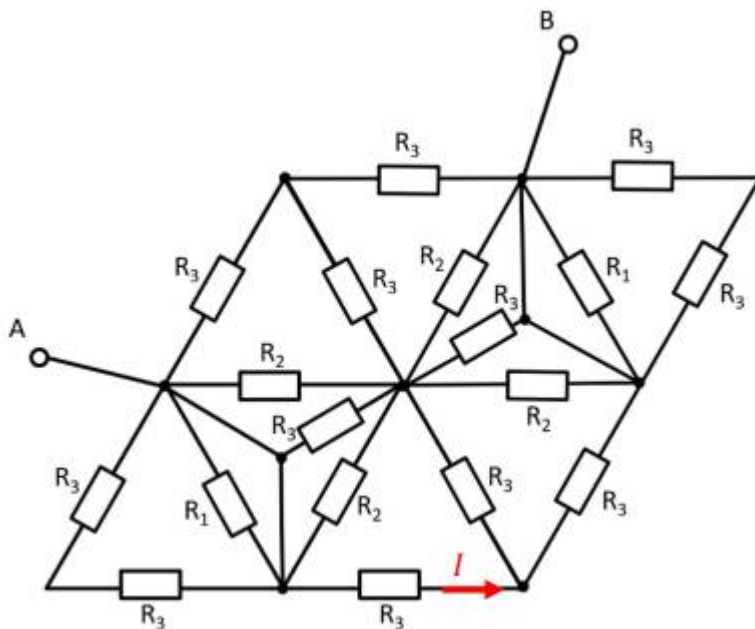
Solution

The partial current  $I$  is obtained directly from the voltage  $U_0$ :  $I = \frac{U_0}{2 \cdot R_3}$

Final result

$$I = \frac{20 \text{ V}}{2 \cdot 20 \text{ } \Omega} = 0.5 \text{ A}$$

**Exercise 2.7.9 - Variation: Simplifying Circuits II (written exam task, approx 8% of a 60-minute written exam, WS2020)**



Given is the adjoining circuit with

$$R_1 = 10 \text{ } \Omega$$

$$R_2 = 20 \text{ } \Omega$$

$$R_3 = 5 \text{ } \Omega$$

1. Determine the equivalent resistance  $R_{\text{eq}}$  between A and B by summing the

resistances.

Final result

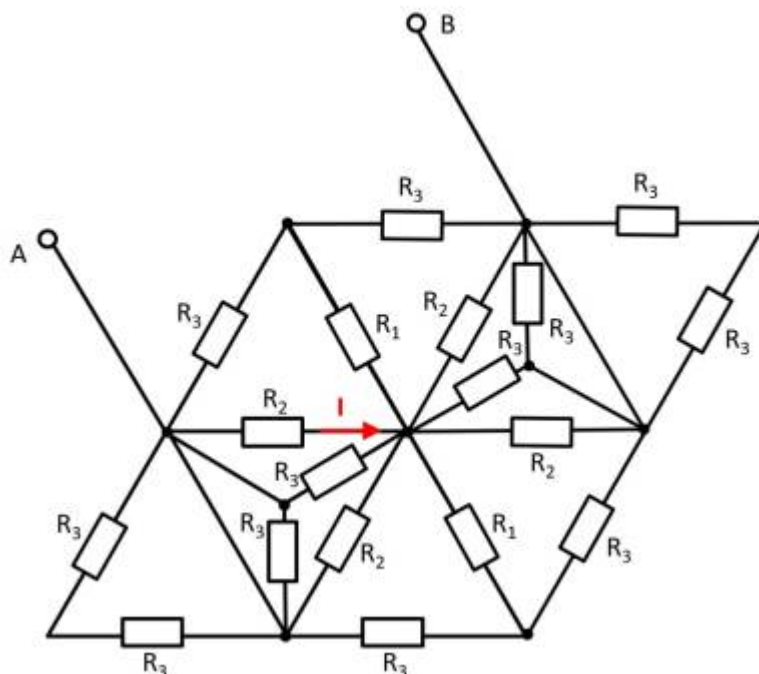
$$R_{ges} = \frac{20 \Omega \cdot 5 \Omega}{\frac{3}{2} \cdot 20 \Omega + 5 \Omega} = 2.858 \Omega \rightarrow 2.9 \Omega$$

2. Now let the voltage from A to B be:  $U_{AB} = U_0 = 10 \text{ V}$ . What is the current  $I$ ?

Final result

$$I = \frac{10 \text{ V}}{2 \cdot 5 \Omega} = 1 \text{ A}$$

**Exercise 2.7.10 - Variation: Simplifying Circuits III (written exam task, approx 8% of a 60-minute written exam, WS2020)**



Given is the adjoining circuit with

- $R_1 = 5 \Omega$
- $R_2 = 20 \Omega$
- $R_3 = 10 \Omega$

1. Determine the equivalent resistance  $R_{eq}$  between A and B by summing the resistances.
2. Now let the voltage from A to B be:  $U_{AB} = U_0 = 30 \text{ V}$ . What is the current  $I$ ?

**weitere Exercises**

Weitere Aufgaben sind Online auf den Seiten von [HERTZ](https://www.hertz.de) zu finden (Auswahl links im Menu).

From:

<https://first.mexle.te.hs-heilbronn.de/> - **MEXLE Wiki**

Permanent link:

[https://first.mexle.te.hs-heilbronn.de/electrical\\_engineering\\_1/simple\\_circuits?rev=1632404578](https://first.mexle.te.hs-heilbronn.de/electrical_engineering_1/simple_circuits?rev=1632404578)

Last update: **2021/09/23 15:42**

