

Exam Winter Semester 2022

Student Group

First Name	Surname	Matrikel Nr.

Table of Contents

Exercise E1 Resistance of a Wire by Resistivity (written test, approx. 6 % of a 60-minute written test, WS2022)	3
Exercise E1 Resistance of a Wire by Resistivity (written test, approx. 6 % of a 60-minute written test, WS2022)	3
Exercise E2 Temperature-dependent Resistance (written test, approx. 6 % of a 60-minute written test, WS2022)	3
Exercise E2 Temperature-dependent Resistance (written test, approx. 6 % of a 60-minute written test, WS2022)	4
Exercise E3 Pure Resistor Network Simplification (written test, approx. 13 % of a 60-minute written test, WS2022)	5
Exercise E4 Pure Resistor Network Simplification (written test, approx. 13 % of a 60-minute written test, WS2022)	6
Exercise E5 Equivalent linear Source (written test, approx. 14 % of a 60-minute written test, WS2022)	8
Exercise E6 Equivalent linear Source (written test, approx. 14 % of a 60-minute written test, WS2022)	12
Exercise E7 Charging Capacitors (written test, approx. 16 % of a 60-minute written test, WS2022)	16
Exercise E8 Charging Capacitors (written test, approx. 16 % of a 60-minute written test, WS2022)	17
Exercise E9 Analyzing complex Impedances (written test, approx. 14 % of a 60-minute written test, WS2022)	19
Exercise E10 Analyzing complex Impedances (written test, approx. 14 % of a 60-minute written test, WS2022)	19
Exercise E11 Impedances at different Frequencies (written test, approx. 18 % of a 60-minute written test, WS2022)	20
Exercise E12 Impedances at different Frequencies (written test, approx. 18 % of a 60-minute written test, WS2022)	20
Exercise E13 Complex Impedance Circuit (written test, approx. 15 % of a 60-minute written	

test, WS2022) 21

Exercise E14 Complex Impedance Circuit (written test, approx. 15 % of a 60-minute written
test, WS2022) 24

Exercise E1 Resistance of a Wire by Resistivity (written test, approx. 6 % of a 60-minute written test, WS2022)

A heating element made of solid nichrome wire with a diameter of 1.80 mm and an electric power dissipation (= heat flow) of $P=40 \text{ W}$ is necessary.

Determine the current I linked to the operating voltage for heating elements.

The Nichrome wire has a resistivity of $1.10 \cdot 10^{-6} \text{ } \Omega \cdot \text{m}$.

The heating element is 3 m long and has a diameter of 3.57 mm .

∴ Calculate the resistance R of the heating element.

Solution

$$\begin{aligned} P &= U \cdot I = R \cdot I^2 \quad \rightarrow \quad I = \\ &= \sqrt{\frac{P}{R}} = \sqrt{\frac{40 \text{ W}}{0.33 \text{ } \Omega}} \end{aligned}$$

$$\begin{aligned} R &= \rho \cdot \frac{l}{A} \quad \text{with } A = r^2 \cdot \pi = \\ &= \frac{1}{4} d^2 \cdot \pi \quad \text{and } R = \rho \cdot \frac{l}{\frac{1}{4} d^2 \cdot \pi} \quad \text{and } R = \\ &= 1.10 \cdot 10^{-6} \text{ } \Omega \cdot \text{m} \cdot \frac{4 \cdot 3 \text{ m}}{(3.57 \cdot 10^{-3} \text{ m})^2 \cdot \pi} \end{aligned}$$

Exercise E1 Resistance of a Wire by Resistivity (written test, approx. 6 % of a 60-minute written test, WS2022)

A heating element made of solid nichrome wire with a diameter of 1.80 mm and an electric power dissipation (= heat flow) of $P=40 \text{ W}$ is necessary.

Determine the current I linked to the operating voltage for heating elements.

The Nichrome wire has a resistivity of $1.10 \cdot 10^{-6} \text{ } \Omega \cdot \text{m}$.

The heating element is 3 m long and has a diameter of 3.57 mm .

∴ Calculate the resistance R of the heating element.

Solution

$$\begin{aligned} P &= U \cdot I = R \cdot I^2 \quad \rightarrow \quad I = \\ &= \sqrt{\frac{P}{R}} = \sqrt{\frac{40 \text{ W}}{0.33 \text{ } \Omega}} \end{aligned}$$

$$\begin{aligned} R &= \rho \cdot \frac{l}{A} \quad \text{with } A = r^2 \cdot \pi = \\ &= \frac{1}{4} d^2 \cdot \pi \quad \text{and } R = \rho \cdot \frac{l}{\frac{1}{4} d^2 \cdot \pi} \quad \text{and } R = \\ &= 1.10 \cdot 10^{-6} \text{ } \Omega \cdot \text{m} \cdot \frac{4 \cdot 3 \text{ m}}{(3.57 \cdot 10^{-3} \text{ m})^2 \cdot \pi} \end{aligned}$$

Exercise E2 Temperature-dependent Resistance

(written test, approx. 6 % of a 60-minute written test, WS2022)

2. A refrigerator exhibits a temperature coefficient of resistance in its refrigeration system. The circuit has a resistance of $10 \text{ k}\Omega$ at 25°C . Your answer.

Its temperature coefficients are: $\alpha = 0.01 \text{ K}^{-1}$ and $\beta = 71 \cdot 10^{-6} \text{ K}^{-2}$

Result: The temperature inside the refrigeration system can reach down to -40°C .

$$R = 6.5 \text{ k}\Omega$$

The power transfer resistor P is a part of the circuit and generates heat. Therefore, a solution is to increase the heat flow up the refrigeration system.

Therefore, with constant U and increasing R the power decreases. Ten times more resistance decreases the heat flow to one-tenth.

$$R = R_0 \cdot (1 + \alpha \cdot \Delta T + \beta \cdot \Delta T^2) \quad | \quad \Delta T = T_{\text{end}} - T_{\text{start}}$$

$$R = 10 \text{ k}\Omega \cdot \left(1 + 0.01 \text{ K}^{-1} \cdot (-40^\circ\text{C} - 25^\circ\text{C}) + 71 \cdot 10^{-6} \text{ K}^{-2} \cdot (-40^\circ\text{C} - 25^\circ\text{C})^2\right)$$

Exercise E2 Temperature-dependent Resistance

(written test, approx. 6 % of a 60-minute written test, WS2022)

2. A refrigerator exhibits a temperature coefficient of resistance in its refrigeration system. The circuit has a resistance of $10 \text{ k}\Omega$ at 25°C . Your answer.

Its temperature coefficients are: $\alpha = 0.01 \text{ K}^{-1}$ and $\beta = 71 \cdot 10^{-6} \text{ K}^{-2}$

Result: The temperature inside the refrigeration system can reach down to -40°C .

$$R = 6.5 \text{ k}\Omega$$

The power transfer resistor P is a part of the circuit and generates heat. Therefore, a solution is to increase the heat flow up the refrigeration system.

Therefore, with constant U and increasing R the power decreases. Ten times more resistance decreases the heat flow to one-tenth.

$$R = R_0 \cdot (1 + \alpha \cdot \Delta T + \beta \cdot \Delta T^2) \quad | \quad \Delta T = T_{\text{end}} - T_{\text{start}}$$

$$R = 10 \text{ k}\Omega \cdot \left(1 + 0.01 \text{ K}^{-1} \cdot (-40^\circ\text{C} - 25^\circ\text{C}) + 71 \cdot 10^{-6} \text{ K}^{-2} \cdot (-40^\circ\text{C} - 25^\circ\text{C})^2\right)$$

Exercise E3 Pure Resistor Network Simplification
(written test, approx. 13 % of a 60-minute written test, WS2022)

The following shall be solved at once, $R_2 = R_3 = 100 \Omega$ and the switch is given. $R_1 = 400 \Omega$. Calculate the equivalent resistance R_{eq} between A and B .

Solution

$$R_{eq} = 133.8 \Omega$$

Now a wye-delta transformation is necessary.



Since $R_2 = R_3$ and based on the equations for the transformation, the transformed R_Y is given as:

$$R_Y = \frac{R_2 \cdot R_2}{R_2 + R_2 + R_2} = \frac{(100 \Omega)^2}{3 \cdot 100 \Omega} = \frac{1}{3} \cdot 100 \Omega = 33.33 \Omega$$

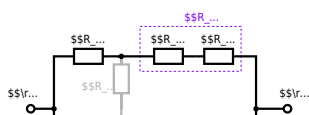
The equivalent resistor is given by a parallel configuration of resistors in series:

$$R_{eq} = R_Y + (R_Y + R_1) \parallel (R_Y + R_2)$$

$$R_{eq} = 33.33 \Omega + (33.33 \Omega + 400 \Omega) \parallel (33.33 \Omega + 100 \Omega)$$

The switch shall now be open. Calculate the equivalent resistance R_{eq} between A and B .

Solution



The equivalent resistor is given by a parallel configuration of resistors in series:

$$R_{\text{eq}} = (R_2 + R_1 + R_1) \parallel (R_2 + R_2) \parallel (100 \Omega + 200 \Omega + 200 \Omega) \parallel (100 \Omega + 100 \Omega) \parallel (500 \Omega) \parallel (200 \Omega) \parallel (500 \Omega \cdot 200 \Omega) / (500 \Omega + 200 \Omega)$$

Exercise E4 Pure Resistor Network Simplification (written test, approx. 13 % of a 60-minute written test, WS2022)

The following shall be solved with $R_1 = 200 \Omega$, $R_2 = R_3 = 100 \Omega$ and the source $B = 15 \text{ V}$.
 Result given: $R_{\text{eq}} = 132.8 \Omega$.

Solution

$$R_{\text{eq}} = 132.8 \Omega$$

Now a wye-delta transformation is necessary.



Since $R_2=R_3$ and based on the equations for the transformation, the transformed R_Y is given as:
$$R_Y = \frac{R_2 \cdot R_2}{R_2 + R_2 + R_2} = \frac{(100 \Omega)^2}{3 \cdot 100 \Omega} = \frac{1}{3} \cdot 100 \Omega = 33.33 \Omega$$

The equivalent resistor is given by a parallel configuration of resistors in series:
$$R_{eq} = R_Y + (R_Y + R_1 + R_1) \parallel (R_Y + R_2) \parallel R_{eq} = 33.33 \Omega + (33.33 \Omega + 400 \Omega) \parallel (33.33 \Omega + 100 \Omega)$$

1. The switch shall now be open. Calculate the equivalent resistance R_{eq} between A and B.

Solution



The equivalent resistor is given by a parallel configuration of resistors in series:

$$R_{\text{eq}} = (R_2 + R_1 + R_1) \parallel (R_2 + R_2) \parallel R_{\text{eq}} = (100 \Omega + 200 \Omega + 200 \Omega) \parallel (100 \Omega + 100 \Omega) \parallel R_{\text{eq}} = (500 \Omega) \parallel (200 \Omega) \parallel R_{\text{eq}} = \frac{500 \Omega \cdot 200 \Omega}{500 \Omega + 200 \Omega} \parallel$$

**Exercise E5 Equivalent linear Source
(written test, approx. 14 % of a 60-minute written test, WS2022)**

The circuit in the following has to be simplified.
Result

$$U_{\text{s}} = U_{\text{AB}} = 4.5 \text{ V} \quad R_{\text{i}} = R_{\text{AB}} = 6 \Omega$$



Calculate the internal resistance R_{in} and the source voltage U_{s} of an equivalent linear voltage source on the connectors A and B . $R_1=5.0 \Omega$, $U_2=6.0 \text{ V}$, $R_3=10 \Omega$, $I_4=4.2 \text{ A}$, $R_5=10 \Omega$, $R_6=7.5 \Omega$, $R_7=15 \Omega$. Use equivalent sources in order to simplify the circuit!

Solution

The best thing is to re-think the wiring like rubber bands and adjust them:



The linear voltage source of U_2 and R_1 can be transformed into a current source $I_2 = \frac{U_2}{R_1}$ and R_1 :



Now a lot of them can be combined. The resistors R_1 , R_3 , R_5 are in parallel, like also I_2 and I_4 :
$$R_{135} = R_1 || R_3 || R_5$$

$$I_{24} = I_2 - I_4 = \frac{U_2}{R_1} - I_4$$
 The resulting circuit can again be transformed:



Here, the U_{24} is calculated by I_{24} as the following:
$$U_{24}$$

$$U_{24} = U_2 \cdot \frac{R_7}{R_6 + R_7 + R_1 || R_3 || R_5} - I_4 \cdot R_1 || R_3 || R_5$$

On the right side of the last circuit, there is a voltage divider given by R_{135} , R_6 , and R_7 .

Therefore the voltage between A and B is given as:

$$U_{AB} = U_{24} \cdot \frac{R_7}{R_6 + R_7 + R_1 || R_3 || R_5} - I_4 \cdot \frac{R_7 \cdot R_1 || R_3 || R_5}{R_6 + R_7 + R_1 || R_3 || R_5}$$

For the internal resistance R_i the ideal voltage source is substituted by its resistance ($=0\Omega$, so a short-circuit):

$$R_{AB} = R_7 || (R_6 + R_1 || R_3 || R_5)$$

with $R_1 || R_3 || R_5 = 5\Omega || 10\Omega || 10\Omega = 5\Omega || 5\Omega = 2.5\Omega$:

$$U_{AB} = \frac{6.0\text{V}}{5.0\Omega} - 4.2\Omega \cdot \frac{15\Omega \cdot 2.5\Omega}{7.5\Omega + 15\Omega + 2.5\Omega}$$

$$R_{AB} = 15\Omega || (7.5\Omega + 2.5\Omega)$$

Exercise E6 Equivalent linear Source (written test, approx. 14 % of a 60-minute written test, WS2022)

The circuit in the following has to be simplified.
Result

$$U_s = U_{AB} = 4.5\text{V} \quad R_i = R_{AB} = 6\Omega$$



Calculate the internal resistance R_{in} and the source voltage U_{s} of an equivalent linear voltage source on the connectors A and B . $R_1=5.0 \Omega$, $U_2=6.0 \text{ V}$, $R_3=10 \Omega$, $I_4=4.2 \text{ A}$, $R_5=10 \Omega$, $R_6=7.5 \Omega$, $R_7=15 \Omega$. Use equivalent sources in order to simplify the circuit!

Solution

The best thing is to re-think the wiring like rubber bands and adjust them:



The linear voltage source of U_2 and R_1 can be transformed into a current source $I_2 = \frac{U_2}{R_1}$ and R_1 :



Now a lot of them can be combined. The resistors R_1 , R_3 , R_5 are in parallel, like also I_2 and I_4 :

$$R_{135} = R_1 || R_3 || R_5$$

$$I_{24} = I_2 - I_4 = \frac{U_2}{R_1} - I_4$$

The resulting circuit can again be transformed:



Here, the U_{24} is calculated by I_{24} as the following:

$$U_{24} = I_{24} \cdot R_{135}$$

$$U_{AB} = R_{135} \cdot I_{24} = \left(\frac{U_2}{R_1} - I_4 \right) \cdot R_1 \parallel R_3 \parallel R_5$$

On the right side of the last circuit, there is a voltage divider given by R_{135} , R_6 , and R_7 .

Therefore the voltage between A and B is given as:

$$U_{AB} = U_{24} \cdot \left\{ \frac{R_7}{R_6 + R_7 + R_1 \parallel R_3 \parallel R_5} \right\} = \left(\frac{U_2}{R_1} - I_4 \right) \cdot \left\{ \frac{R_7 \cdot R_1 \parallel R_3 \parallel R_5}{R_6 + R_7 + R_1 \parallel R_3 \parallel R_5} \right\}$$

For the internal resistance R_i the ideal voltage source is substituted by its resistance ($=0 \Omega$, so a short-circuit):

$$R_{AB} = R_7 \parallel (R_6 + R_1 \parallel R_3 \parallel R_5)$$

with $R_1 \parallel R_3 \parallel R_5 = 5 \Omega \parallel 10 \Omega \parallel 10 \Omega = 5 \Omega \parallel 5 \Omega = 2.5 \Omega$:

$$U_{AB} = \left(\frac{6.0 \text{ V}}{5.0 \Omega} - 4.2 \text{ A} \right) \cdot \left\{ \frac{15 \Omega \cdot 2.5 \Omega}{7.5 \Omega + 15 \Omega + 2.5 \Omega} \right\}$$

$$R_{AB} = 15 \Omega \parallel (7.5 \Omega + 2.5 \Omega)$$

Exercise E7 Charging Capacitors
(written test, approx. 16 % of a 60-minute written test, WS2022)

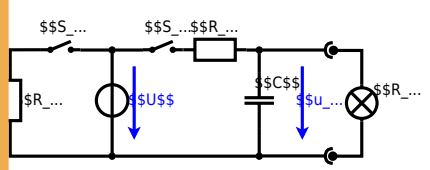
The circuit below is a circuit with a DC voltage source U , a resistor R_1 , a resistor R_2 , a capacitor C , and a switch S_1 . The switch S_1 is open. The voltage across the capacitor is again 0 V at the moment $t_0 = 0 \text{ s}$ when the switch S_1 is closed. Calculate the voltage $u_c(t_2)$ across the capacitor at $t_2 = 1 \text{ ms}$ after closing the switch.

Solution: To solve this, first create an equivalent linear voltage source from U , R_1 , and R_2 .

The ideal voltage source U_{eq} is given by:

$$U_{eq} = \frac{U \cdot R_2}{R_1 + R_2}$$

On an alternative view, one can try to create an equivalent linear voltage source again. Then, the internal resistance is given by substituting the ideal voltage source is again short-circuiting R_2 .



The circuit contains a voltage source $U=12\text{ V}$, a switch S_1 , a resistor of $R_1=20\text{ }\Omega$ and a capacitor of $C=100\text{ }\mu\text{F}$. The switch S_2 to an additional consumer R_2 will be considered to be open for the first task. At the moment $t_0=0\text{ s}$ the switch S_1 is closed, the voltage across the capacitor is $u_c(t_0)=0\text{ V}$.



First do not consider the light bulb - it is not connected to the RC circuit. Calculate the point of time t_1 when $u_c(t_1)=0.5 \cdot U$.

Solution



So, here R_1 and C gives the time constant: $\tau = R_1 \cdot C$

The following formula describes the time course of $u_C(t)$ which has to be $u_c(t_1)=0.5 \cdot U$:

$$u_c(t) = U \cdot (1 - e^{-t/\tau}) = 0.5 \cdot U$$
 It has to be rearranged to $(1 - e^{-t/\tau}) = 0.5$
 An equivalent linear voltage source can be given with $U_s = U \cdot \frac{R_B}{R_1 + R_B}$ and $R_i = R_1 \parallel R_B$ as seen in yellow.

Therefore, the voltage of the equivalent linear voltage source is: $U_s = U \cdot \frac{R_B}{R_1 + R_B} = \frac{1}{2} \cdot U$
 The internal resistance is given by substituting the ideal voltage source with its resistance ($R_i = 0\text{ }\Omega$, short-circuit).

$$R_i = R_1 \parallel R_B = 10\text{ }\Omega$$

$$u_c(t_2) = U_s \cdot (1 - e^{-t_2/(R_i \cdot C)}) = \frac{1}{2} \cdot U \cdot (1 - e^{-1\text{ ms}/(10\text{ }\Omega \cdot 100\text{ }\mu\text{F})})$$

Exercise E8 Charging Capacitors
 (written test, approx. 16 % of a 60-minute written test, WS2022)

The circuit (as shown in the figure) consists of a DC voltage source $U=6\text{ V}$, a resistor $R_1=20\text{ }\Omega$, a capacitor $C=20\text{ }\mu\text{F}$ and a light bulb $R_B=20\text{ }\Omega$. The voltage across the capacitor is again 0 V at the moment $t_0=0\text{ s}$ when the switch S_1 is closed. Calculate the voltage $u_c(t_2)$ across the capacitor at $t_2=1\text{ ms}$ after closing the switch.

Solution To solve this, first create an equivalent linear voltage source from U , R_1 , and R_B .

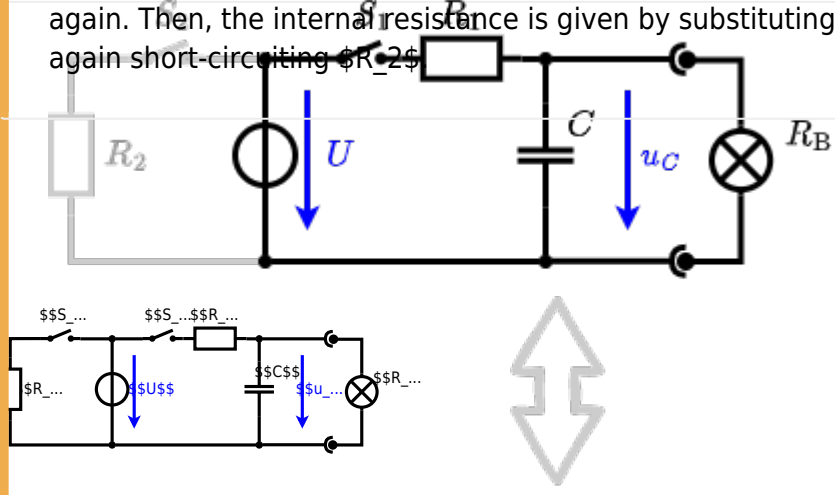
$$U_s = U \cdot \frac{R_B}{R_1 + R_B} = 3\text{ V}$$

$$R_i = R_1 \parallel R_B = 10\text{ }\Omega$$

Solution

The ideal voltage source U is in series with the internal resistance R_1 . The voltage across the capacitor is u_C . The voltage across the light bulb is u_B . The voltage across the resistor R_2 is u_{R_2} . The voltage across the capacitor is u_C . The voltage across the light bulb is u_B . The voltage across the resistor R_2 is u_{R_2} .

On an alternative view, one can try to create an equivalent linear voltage source again. Then, the internal resistance is given by substituting the ideal voltage source is again short-circuiting R_2 .

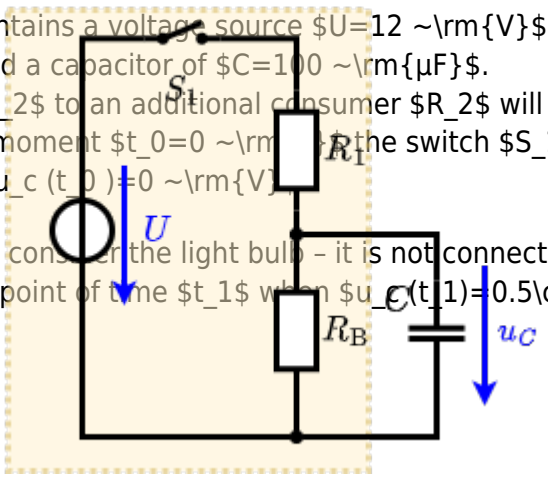


The circuit contains a voltage source $U=12 \text{ V}$, a switch S_1 , a resistor of $R_1=20 \text{ }\Omega$ and a capacitor of $C=100 \text{ }\mu\text{F}$.

The switch S_2 to an additional consumer R_2 will be considered to be open for the first asks. At the moment $t_0=0$ the switch S_1 is closed, the voltage across the capacitor is $u_C(t_0)=0$.

First do not consider the light bulb - it is not connected to the RC circuit.

Calculate the point of time t_1 when $u_C(t_1)=0.5 \cdot U$.



Solution

An equivalent linear voltage source can be given with U , R_1 , and R_B as seen in yellow.

Therefore, the voltage of the equivalent linear voltage source is: $U_s = U \cdot \frac{R_B}{R_1 + R_B} = \frac{1}{2} \cdot U$. The internal resistance is given by substituting the ideal voltage source with its resistance ($R=0 \text{ }\Omega$, short-circuit). $R_i = R_1 \parallel R_B = 10 \text{ }\Omega$.

$$u_C(t_2) = U_s \cdot (1 - e^{-t_2/(R_i \cdot C)}) = \frac{1}{2} \cdot U \cdot (1 - e^{-t_2/(10 \text{ }\Omega \cdot 100 \text{ }\mu\text{F})})$$

So, here only R_1 and C gives the time constant: $\tau = R_1 \cdot C$

The following formula describes the time course of $u_C(t)$ which has to be $u_C(t_1)=0.5 \cdot U$: $u_C(t) = U \cdot (1 - e^{-t/\tau}) = 0.5 \cdot U$. It has to be rearranged to $(1 - e^{-t/\tau}) = 0.5 \implies e^{-t/\tau} = 0.5 \implies t/\tau = \ln(0.5) \implies t = \tau \cdot \ln(0.5) = R_1 \cdot C \cdot \ln(0.5)$

Exercise E9 Analyzing complex Impedances
 (written test, approx. 14 % of a 60-minute written test, WS2022)

2. Given that the phasor voltage source $\underline{U}(t) = 50 \cos(300t) \text{ V}$ and the impedances \underline{Z}_1 and \underline{Z}_2 are both real components. ($\$R\$$ and \underline{X}_1) shall be given.

After analysis, the full width dimensioned current $i(t)$ can be extracted and given in mA .
 Phase φ of \underline{Z}_1 is $\varphi_1 = 20^\circ$ and $\varphi_2 = 45^\circ$.

Solution
 .. Calculation of physical values of the two components.
 Solution $\varphi_1 = 20^\circ$ and $\varphi_2 = 45^\circ$

Solution

$$\underline{I} = \frac{\underline{U}}{\underline{Z}} \quad \text{with } \underline{Z} = 50 \text{ ohms}$$
 The current $i(t)$ is the real part of $\underline{I} e^{j\omega t}$.
 Resulting $i(t) = 0.24 \cos(300t - 20^\circ) \text{ A}$.
 Therefore, the component 4.68 ohms is in parallel with the same source voltage of 4.68 ohms .
 Impedance $\underline{Z}_1 = 4.68 \text{ ohms}$ and $\underline{Z}_2 = 10 \text{ ohms}$.

$$\underline{I} = \frac{50 \text{ V}}{4.68 \text{ ohms} + j10 \text{ ohms}} = \frac{50}{4.68 + j10} \text{ A}$$

$$\underline{I} = \frac{50}{\sqrt{4.68^2 + 10^2}} \angle -\arctan\left(\frac{10}{4.68}\right) = 8.7 \text{ A} \angle -67.96^\circ$$
 With the complex part $\cos(300t - 20^\circ)$ and $\varphi = 20^\circ$.

$$\underline{I} = \frac{50}{2\pi \cdot 300} \angle -67.96^\circ = 4.68 \text{ mA} \angle -67.96^\circ$$
 The phase φ can be calculated as $\varphi_i = \arctan\left(\frac{\text{Im}(\underline{I})}{\text{Re}(\underline{I})}\right) = \arctan\left(\frac{-4.68}{0.24}\right) = -67.96^\circ$

Exercise E10 Analyzing complex Impedances
 (written test, approx. 14 % of a 60-minute written test, WS2022)

2. Given that the phasor voltage source $\underline{U}(t) = 50 \cos(300t) \text{ V}$ and the impedances \underline{Z}_1 and \underline{Z}_2 are both real components. ($\$R\$$ and \underline{X}_1) shall be given.

After analysis, the full width dimensioned current $i(t)$ can be extracted and given in mA .
 Phase φ of \underline{Z}_1 is $\varphi_1 = 20^\circ$ and $\varphi_2 = 45^\circ$.

Solution
 .. Calculation of physical values of the two components.
 Solution $\varphi_1 = 20^\circ$ and $\varphi_2 = 45^\circ$

Solution

$$\underline{I} = \frac{\underline{U}}{\underline{Z}} \quad \text{with } \underline{Z} = 50 \text{ ohms}$$
 The current $i(t)$ is the real part of $\underline{I} e^{j\omega t}$.
 Resulting $i(t) = 0.24 \cos(300t - 20^\circ) \text{ A}$.
 Therefore, the component 4.68 ohms is in parallel with the same source voltage of 4.68 ohms .
 Impedance $\underline{Z}_1 = 4.68 \text{ ohms}$ and $\underline{Z}_2 = 10 \text{ ohms}$.

$$\underline{I} = \frac{50 \text{ V}}{4.68 \text{ ohms} + j10 \text{ ohms}} = \frac{50}{4.68 + j10} \text{ A}$$

$$\underline{I} = \frac{50}{\sqrt{4.68^2 + 10^2}} \angle -\arctan\left(\frac{10}{4.68}\right) = 8.7 \text{ A} \angle -67.96^\circ$$

The absolute value of the impedance is $Z = \sqrt{R^2 + (X_L - X_C)^2}$ with $R = 5 \Omega$, $X_L = \omega L = 2\pi \cdot 4 \text{ MHz} \cdot 100 \text{ nH} = 2.51 \text{ m}\Omega$ and $X_C = \frac{1}{\omega C} = \frac{1}{2\pi \cdot 4 \text{ MHz} \cdot 10 \text{ nF}} = 3.98 \text{ m}\Omega$.
 The phase ϕ is given by $\phi = \arctan\left(\frac{X_L - X_C}{R}\right) = \arctan\left(\frac{2.51 - 3.98}{5}\right) = -0.24 \text{ rad}$.
 With the complex part comes the physical value: $I = \frac{U}{Z} = \frac{50 \text{ V}}{\sqrt{5^2 + (2.51 - 3.98)^2}} = 9.50 \text{ A}$.
 The phase ϕ is $\phi = \arctan\left(\frac{X_L - X_C}{R}\right) = \arctan\left(\frac{2.51 - 3.98}{5}\right) = -0.24 \text{ rad}$.

Exercise E11 Impedances at different Frequencies
 (written test, approx. 18 % of a 60-minute written test, WS2022)

At a series circuit with $R_1 = 100 \Omega$, $R_2 = 470 \Omega$, $L = 4.7 \mu\text{H}$, $C = 10 \text{ nF}$ and $U = 50 \text{ V}$ at $f = 4 \text{ MHz}$.
 Result: $I = 1.00 \text{ A}$, $R_{\text{eq}} = 570 \Omega$, $X_L = 100 \Omega$, $X_C = 398 \Omega$.
 A resistor R_1 shall have the same absolute value of the impedance as a capacitor $C_1 = 40 \text{ nF}$ at $f_1 = 4 \text{ MHz}$.

Solution
 Solution: $R_1 = 100 \Omega$
 Solution: $R_2 = 10.0 \Omega$

A series circuit means that the current is constant on every component.
 The equivalent impedance for R and L combined is given by $Z = \sqrt{R^2 + X_L^2}$.
 Parallel circuit means that the voltage is the same on R_2 and C_1 .
 $Z_{\text{parallel}} = \frac{R_2 \cdot X_C}{\sqrt{R_2^2 + X_C^2}}$. Since X_C is perpendicular to R_2 , this can be simplified to $Z_{\text{parallel}} = \frac{R_2 \cdot X_C}{\sqrt{R_2^2 + X_C^2}}$.
 X_C is perpendicular to Z_{parallel} (It has to, since R_2 is perpendicular to X_C).
 Therefore, the resulting current of the parallel circuit is given as:
 $I_{\text{parallel}} = \frac{U}{\sqrt{R_2^2 + X_C^2}}$
 This current is the same as the current through R_1 .
 $I = \frac{U}{\sqrt{R_1^2 + X_L^2}} = \frac{U}{\sqrt{R_1^2 + (2\pi f L)^2}}$
 Back to the first formula: $R_1 \cdot I = X_C \cdot I_{\text{parallel}}$
 $R_1 = \frac{X_C \cdot \sqrt{R_2^2 + X_C^2}}{\sqrt{R_1^2 + X_L^2}}$

Exercise E12 Impedances at different Frequencies
 (written test, approx. 18 % of a 60-minute written test, WS2022)

□□□□□□□□□□ 10510...





From:
<https://first.mexle.te.hs-heilbronn.de/> - **MEXLE Wiki**

Permanent link:
https://first.mexle.te.hs-heilbronn.de/electrical_engineering_1/ws2022_exam?rev=1680355530

Last update: **2023/04/01 15:25**

