

Exam Summer Semester 2024

Student Group

First Name	Surname	Matrikel Nr.

Table of Contents

Exam Summer Semester 2024 3

 Additional permitted Aids 3

 Hits 3

 Only EEE1-relevant Part 3

 Exercise E2 Electrostatics I (written test, approx. 8 % of a 120-minute written test, SS2024) 3

 Exercise E4 Electrostatics II (written test, approx. 10 % of a 120-minute written test, SS2024) 5

 Exercise E6 Capacitor (written test, approx. 12 % of a 120-minute written test, SS2024) 6

 Exercise E8 Magnetic Field Lines (written test, approx. 6 % of a 120-minute written test, SS2024) 6

 Exercise E10 Fields of an coax Cable (written test, approx. 12 % of a 120-minute written test, SS2024) 8

 Exercise E12 Lorentz Force (written test, approx. 8 % of a 120-minute written test, SS2024) 10

 Exercise E14 Magnetic Potential (written test, approx. 8 % of a 120-minute written test, SS2024) 11

 Exercise E16 Self-Induction (written test, approx. 8 % of a 120-minute written test, SS2024) 12

 Exercise E17 Magnetic Circuit (written test, approx. 9 % of a 120-minute written test, SS2024) 12

 Full Exam 14

 Exercise E2 Electrostatics I (written test, approx. 8 % of a 120-minute written test, SS2024) 14

 Exercise E4 Electrostatics II (written test, approx. 10 % of a 120-minute written test, SS2024) 16

 Exercise E6 Capacitor (written test, approx. 12 % of a 120-minute written test, SS2024) 17

 Exercise E8 Magnetic Field Lines (written test, approx. 6 % of a 120-minute written test, SS2024) 18

Exercise E10 Fields of an coax Cable (written test, approx. 12 % of a 120-minute written test, SS2024) 19

Exercise E12 Lorentz Force (written test, approx. 8 % of a 120-minute written test, SS2024) 21

Exercise E14 Magnetic Potential (written test, approx. 8 % of a 120-minute written test, SS2024) 22

Exercise E16 Self-Induction (written test, approx. 8 % of a 120-minute written test, SS2024) 23

Exercise E17 Magnetic Circuit (written test, approx. 9 % of a 120-minute written test, SS2024) 23

Exercise E19 Magnetic Circuit (written test, approx. 10 % of a 120-minute written test, SS2024) 25

Exercise E21 Magnetic Circuit (written test, approx. 10 % of a 120-minute written test, SS2024) 27

Exam Summer Semester 2024

Additional permitted Aids

- non-programmable calculator,
- formulary (4 one-sided DIN A4 pages)

Hits

- The duration of the exam is 120 min.
- Attempts to cheat will lead to exclusion and failure of the exam.
- Withdrawal is no longer possible after these exam has been handed out.
- Please write down intermediate calculations and results on the assignment sheet. (when more space is needed also on the reverse side. In this case: Mark it clearly).
- Always use units in the calculation.
- Use a document-proof, non-red pen.

Only EEE1-relevant Part

This part is only for about 90 minutes !

Exercise E2 Electrostatics I

(written test, approx. 8 % of a 120-minute written test, SS2024)

Given is the arrangement of three charges Q_1, Q_2 and Q_3 in the picture below. The values of the point charges are $Q_1 = 1 \text{ nC}$, $Q_2 = 1 \text{ nC}$ and $Q_3 = 1 \text{ nC}$. Which value needs E_4 to have to get a resulting force of 0 N on q_0 ?

Path: $q_0 = -1 \text{ nC}$

- $q_1 = -5 \text{ nC}$

Path: $E_4 = 500 \text{ V/m}$

$$\vec{F}_1 = \left(\begin{array}{c} +17 \\ 0 \\ 0 \end{array} \right) \cdot 10^{-6} \text{ N}$$

In the x - y plane, the charges are positioned at $(0, 0)$, $(1, 0)$ and $(0, 1)$ m. We cannot calculate the resulting magnitude of the force F_{res} because we do not know the position θ of the test charge q_0 .

$$F_{\text{res}} = \sqrt{F_x^2 + F_y^2} = \sqrt{(17 \cdot 10^{-6})^2 + (17 \cdot 10^{-6})^2} = 24 \cdot 10^{-6} \text{ N}$$

$$F_{\text{res}} = \sqrt{F_x^2 + F_y^2} = \sqrt{(17 \cdot 10^{-6})^2 + (17 \cdot 10^{-6})^2} = 24 \cdot 10^{-6} \text{ N}$$

$$F_{\text{res}} = \sqrt{F_x^2 + F_y^2} = \sqrt{(17 \cdot 10^{-6})^2 + (17 \cdot 10^{-6})^2} = 24 \cdot 10^{-6} \text{ N}$$

$$F_{\text{res}} = \sqrt{F_x^2 + F_y^2} = \sqrt{(17 \cdot 10^{-6})^2 + (17 \cdot 10^{-6})^2} = 24 \cdot 10^{-6} \text{ N}$$

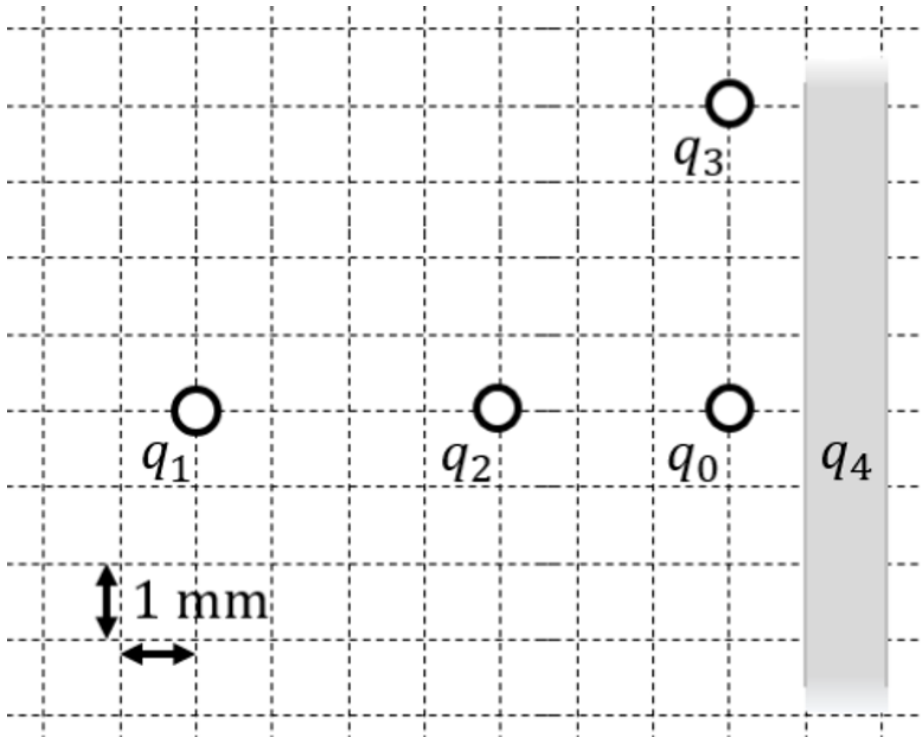
$$F_{\text{res}} = \sqrt{F_x^2 + F_y^2} = \sqrt{(17 \cdot 10^{-6})^2 + (17 \cdot 10^{-6})^2} = 24 \cdot 10^{-6} \text{ N}$$

$$F_{\text{res}} = \sqrt{F_x^2 + F_y^2} = \sqrt{(17 \cdot 10^{-6})^2 + (17 \cdot 10^{-6})^2} = 24 \cdot 10^{-6} \text{ N}$$

$$F_{\text{res}} = \sqrt{F_x^2 + F_y^2} = \sqrt{(17 \cdot 10^{-6})^2 + (17 \cdot 10^{-6})^2} = 24 \cdot 10^{-6} \text{ N}$$

$$F_{\text{res}} = \sqrt{F_x^2 + F_y^2} = \sqrt{(17 \cdot 10^{-6})^2 + (17 \cdot 10^{-6})^2} = 24 \cdot 10^{-6} \text{ N}$$

$$F_{\text{res}} = \sqrt{F_x^2 + F_y^2} = \sqrt{(17 \cdot 10^{-6})^2 + (17 \cdot 10^{-6})^2} = 24 \cdot 10^{-6} \text{ N}$$



1. Calculate the single forces \vec{F}_{01} , \vec{F}_{02} , \vec{F}_{03} , on the charge q_0 !

Path

First, set up a coordinate system. Here, I choose x pointing to the right (positive values to the right) and y pointing upwards (positive values upwards).

Then, calculate the magnitude of the forces, like \vec{F}_{01} (force on q_0 from q_1).

The force \vec{F}_{01} is purely on the x -axis and therefore equal to $F_{01,x}$.

$$\begin{aligned} \vec{F}_{01} &= F_{01,x} \hat{x} = \\ &= \frac{1}{4\pi\epsilon_0} \cdot \frac{q_1 q_0}{r_{01}^2} \hat{x} = \\ &= \frac{1}{4\pi \cdot 8.854 \cdot 10^{-12} \text{ As/Vm}} \cdot \frac{1 \cdot 10^{-9} \text{ C} \cdot 5 \cdot 10^{-9} \text{ C}}{(7 \cdot 10^{-3} \text{ m})^2} \hat{x} = \\ &= 917. \dots \cdot 10^{-6} \frac{\text{As}^2 \cdot \text{Vm}}{\text{As} \cdot \text{m}^2} = \\ &= 917. \dots \cdot 10^{-6} \frac{\text{VA}}{\text{m}} = 917. \dots \cdot 10^{-6} \frac{\text{Ws}}{\text{m}} \end{aligned}$$

Since both q_0 and q_1 have the same sign for their charges, they are repelling each other. Therefore, The force \vec{F}_{01} points to the right (positive value).

Similarly, we get for \vec{F}_{02} and \vec{F}_{03}

$$\begin{aligned} \vec{F}_{02} &= F_{02,x} \hat{x} = -1123. \dots \frac{\text{Ws}}{\text{m}} \\ \vec{F}_{03} &= F_{03,y} \hat{y} = -1123. \dots \frac{\text{Ws}}{\text{m}} \end{aligned}$$

Since q_0 and q_2 have the different sign for their charges, they are attract each other. Therefore, The force \vec{F}_{02} points to the left (negative value).

Since q_0 and q_3 have the different sign for their charges, they are attract each other. Therefore, The force \vec{F}_{03} points downwards (negative value).

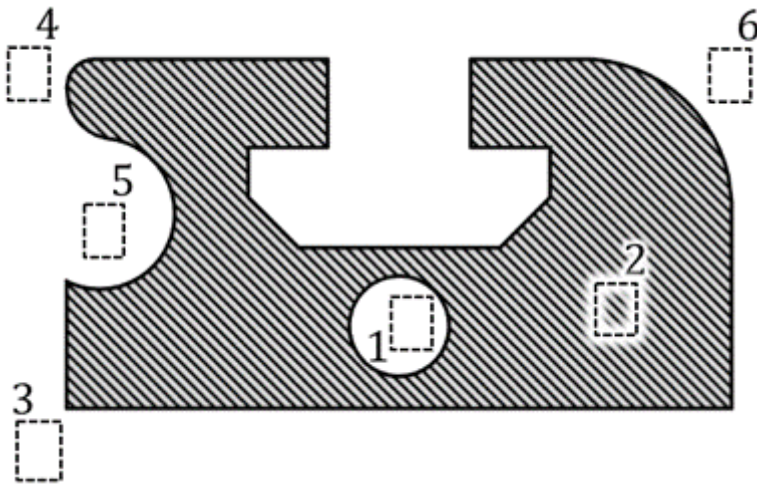
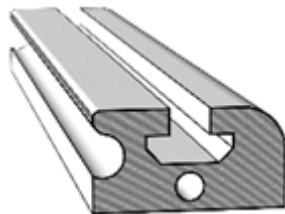
Exercise E4 Electrostatics II

(written test, approx. 10 % of a 120-minute written test, SS2024)

You must analyze an aluminum profile for usage in an environment critical for electrostatic discharge.

The figure on the right shows the cross-section of the aluminum element (hatched). During the application, it might get charged up. All areas in white consist of air (= dielectric).

Six designated areas are shown by dashed frames and numbers n, which are partly inside the object.



Arrange the designated areas clearly according to ascending field strengths $|\vec{E}_n|$ (absolute magnitude)! Indicate also, if designated areas have quantitatively the same field strength.

Result

$$|E_1|=|E_2|=0 < |E_5| < |E_6| < |E_4| < |E_3|$$

Exercise E6 Capacitor
(written test, approx. 12 % of a 120-minute written test, SS2024)

0. Calculate the capacity of a capacitor, the plates of which are parallel plates with a distance of 3 mm. The result is approx. 146 pF.

The contaminant has $\epsilon_{r,c} > \epsilon_{r,air}$, while the distance between the plates remains the same. Give a generalized formula

Path

$$C = \frac{\epsilon_0 \epsilon_{r,c} A}{d-x} + \frac{\epsilon_0 \epsilon_{r,air} A x}{d-x}$$

There are two ways now. Either: $Q = C \cdot U = 1.1 \cdot 10^{-6} \text{ F} \cdot 3.3 \text{ V} = 3.63 \cdot 10^{-6} \text{ C}$ Or: $Q = D \cdot A = 146 \cdot 10^{-12} \text{ F/m} \cdot 25 \cdot 10^{-6} \text{ m}^2 = 3.65 \cdot 10^{-6} \text{ C}$

The displacement field is given by: $D = \epsilon_0 \epsilon_{r,c} \frac{U}{d-x} + \epsilon_0 \epsilon_{r,air} \frac{U x}{d-x}$

The resulting capacity is now $C = \frac{Q}{U} = \frac{3.65 \cdot 10^{-6} \text{ C}}{3.3 \text{ V}} = 1.1 \cdot 10^{-6} \text{ F} = 1100 \text{ pF}$

Therefore: $C = \frac{\epsilon_0 \epsilon_{r,c} A}{d-x} + \frac{\epsilon_0 \epsilon_{r,air} A x}{d-x}$

With $C_{air} = \epsilon_0 \epsilon_{r,air} \frac{A}{d-x}$ and $C_c = \epsilon_0 \epsilon_{r,c} \frac{A x}{d-x}$

- In the following such a sensor is given with:
- Plate area: $A = 25 \text{ mm}^2$
 - Distance between both plates: $d = 200 \text{ }\mu\text{m}$
 - Air between the plates: $\epsilon_{r,air} = 1$
 - Supply voltage: 3.3 V
 - Boundary effects on the end of the layers shall be ignored in the following calculations.

$\epsilon_0 = 8.854 \cdot 10^{-12} \text{ F/m}$

1. Calculate the capacity C .

Path

$$C = \epsilon_0 \epsilon_{r,c} \frac{A}{d-x} + \epsilon_0 \epsilon_{r,air} \frac{A x}{d-x}$$

Exercise E8 Magnetic Field Lines

(written test, approx. 6 % of a 120-minute written test, SS2024)

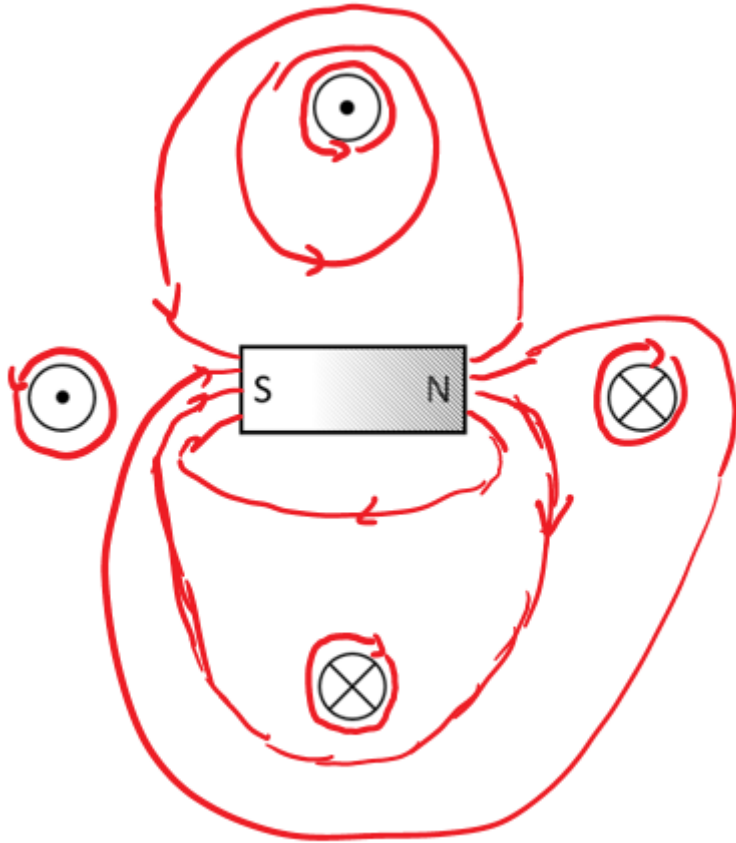
The following setup illustrates how a permanent magnet affects the H-field, based on the fundamental definition of the H-field.

- Four conductors are located perpendicular to the plane of the diagram

Result: All of them conduct a current with the same magnitude, but not in the same direction.

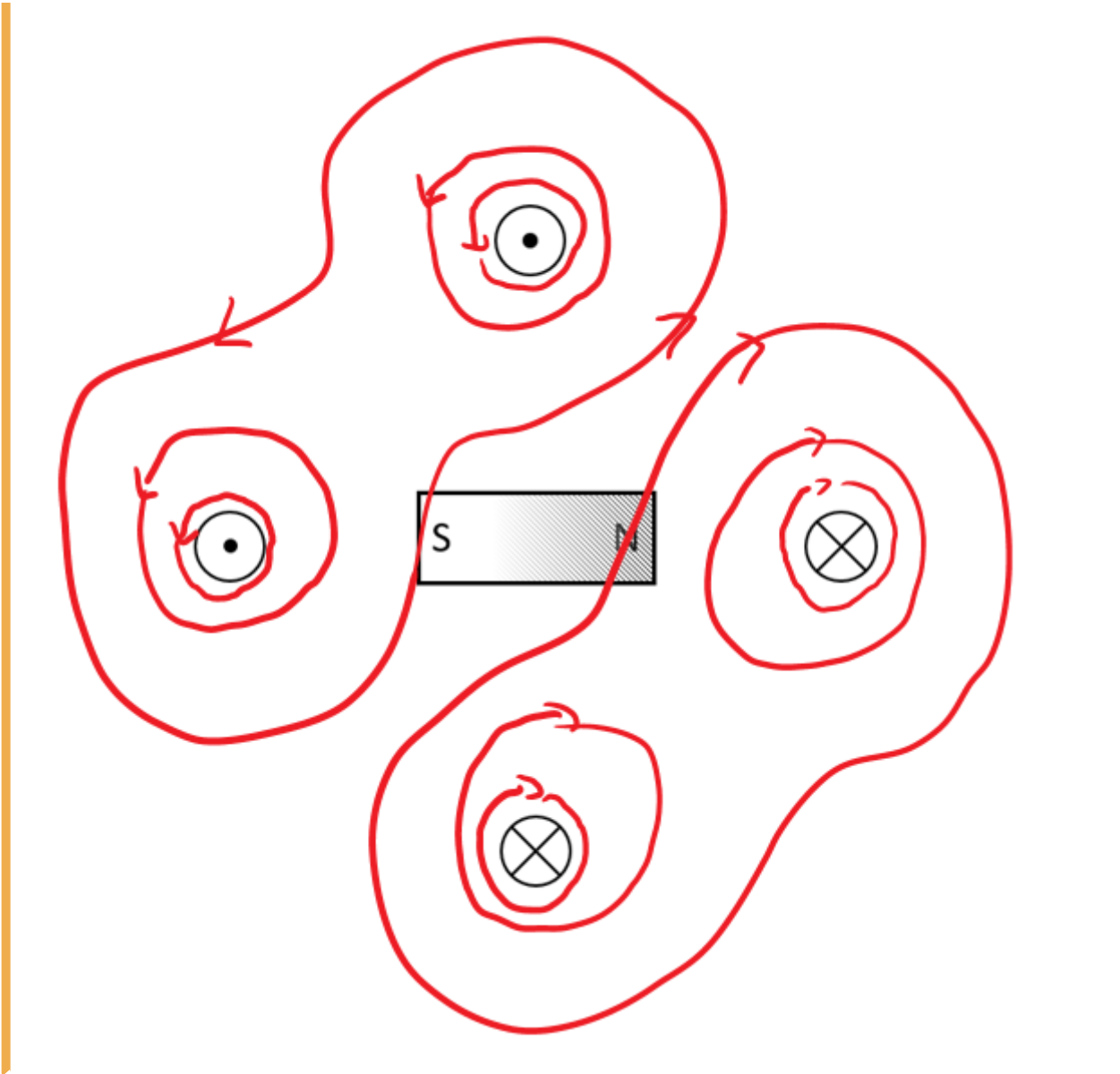
- A permanent magnet is located in between the conductors.

- The H-field is defined by currents $\sum I = \int H \{ \text{r m d} \} s$.
- In the permanent magnet, there are no free currents.
- The bound currents (of the permanent magnet) create also an H field.
- This exits on the north pole and enters the magnet on the south pole (similar to the B-field)_
- $H = B/\mu$
- The H-field from task 1 gets distracted



st 10 field lines of the H-field
and density for the shown

.. D
qua
are:
Res



Exercise E10 Fields of an coax Cable
 (written test, approx. 12 % of a 120-minute written test, SS2024)

2. For the graph of the magnitude of the electric field $E(r)$ with radial fields $D(r)$ of the diagram shows the cross-section of a coaxial cable with the origin $r=0$ in the center of the inner conductor. The diagram shows the magnitude of the electric field $E(r)$ and the electric displacement $D(r)$ as a function of the radial distance r . The diagram is divided into three regions: the inner conductor ($0 \leq r < 0.55$ mm), the dielectric ($0.55 \text{ mm} < r < 3.3$ mm), and the outer conductor ($3.3 \text{ mm} < r < 6.6$ mm). The field is zero in the regions $0 \leq r < 0.55$ mm and $3.3 \text{ mm} < r < 6.6$ mm. The field in the dielectric region is constant. The diagram is labeled with the following values:

path • Inner conductor: $+3.3 \text{ mA}$, $+10 \text{ nC}$ (current into the plane of the path diagram)

path • Outer conductor: -3.3 mA , -10 nC (current out of the plane of diagram)

- for $(0.1 \text{ mm} | 0)$: $E_{\text{in}} = 328 \text{ V/m}$
- for $(0.55 \text{ mm} | 0)$: $E_{\text{out}} = 0.985 \text{ V/m}$

The magnitude of the electric displacement field D can be calculated by: $\int D \cdot dA = Q_{\text{enc}}$.

Here, for any position radial to the center, the surrounding area is the surface of a cylindrical shape (here for simplicity without the round endings).

- For the charges Q_{enc} on the surface of the conductor, the electric displacement D is such that $\int D \cdot dA = Q_{\text{enc}}$.

This leads to: $D(r) = \frac{Q_{\text{enc}}}{2\pi r l}$ and $E(r) = \frac{D(r)}{\epsilon_0 \epsilon_r}$ within a circle with the radius r .

$\cdot x)$ is proportional to the area within this radius. Therefore, The formula $H = \frac{I}{2 \pi \cdot r}$ gets $H(x) = \frac{I}{2 \pi \cdot x} \cdot \pi \cdot x^2$.
 So, we get for D_{in} at $(0.1 \text{ mm} | 0)$, D_{out} at $(0.55 \text{ mm} | 0)$ and D_{out} at $(0.55 \text{ mm} | 0)$ within the outer conductor one also gets a linear proportionality with a similar approach.

$$D_{\text{in}} = \frac{Q}{2 \pi \cdot r_{\text{in}} \cdot l} = \frac{10 \cdot 10^{-9} \text{ C}}{2 \pi \cdot \{0.1 \cdot 10^{-3} \text{ m}\} \cdot 0.5 \text{ m}}$$

$$D_{\text{out}} = \frac{Q}{2 \pi \cdot r_{\text{out}} \cdot l} = \frac{10 \cdot 10^{-9} \text{ C}}{2 \pi \cdot \{0.55 \cdot 10^{-3} \text{ m}\} \cdot 0.5 \text{ m}}$$

Hint: For the direction, one has to consider the sign of the enclosed charge. By this, we see that the D -field is positive.
 But here, again only the magnitude was questioned!

.. What is the magnitude of the magnetic field strength H at $(0.1 \text{ mm} | 0)$ and $(0.55 \text{ mm} | 0)$?

Path

The magnitude of the magnetic field strength H can be calculated by: $H = \frac{I}{2 \pi \cdot r}$
 So, we get for H_{in} at $(0.1 \text{ mm} | 0)$, and H_{out} at $(0.55 \text{ mm} | 0)$:

$$H_{\text{in}} = \frac{I}{2 \pi \cdot r_{\text{in}}} = \frac{+3.3 \text{ A}}{2 \pi \cdot \{0.1 \cdot 10^{-3} \text{ m}\}}$$

$$H_{\text{out}} = \frac{I}{2 \pi \cdot r_{\text{out}}} = \frac{+3.3 \text{ A}}{2 \pi \cdot \{0.55 \cdot 10^{-3} \text{ m}\}}$$

Hint: For the direction, one has to consider the right-hand rule. By this, we see that the H -field on the right side points downwards.
 Therefore, the sign of the H -field is negative.
 But here, only the magnitude was questioned!

Exercise E12 Lorentz Force
(written test, approx. 8 % of a 120-minute written test, SS2024)

2. Describe the lift system for the mobile shuttles of the homogeneous shorted field of the fixed floor. To what result resulting from the interaction of the magnetic field of the shuttle and the field of the fixed floor?

Result

Path

Since the result of \vec{F}_L has to be perpendicular to \vec{B} -field and conductor, the force has to point to the left or the right.

For a homogeneous \vec{B} -field ("constant magnetic field of the shuttle"), the Lorentz forces cancel each other out.

The Lorentz force can only have a lifting effect in an inhomogeneous field. In this case, the sum of the forces results in a repulsing force, see image. Beside boundary effects, the field gets also inhomogeneous, by the additional field of the coils.

- current $I = 1.6 \text{ A}$
- magnetic field of the shuttle is homogeneous with $B = 0.5 \text{ T}$

1. Calculate the magnitude of the resulting force on one coil!

Path

The Lorentz force on a conductor the length l and the current I in a \vec{B} -field is

$$|\vec{F}_L| = I \cdot l \cdot B \cdot \cos(\angle \vec{B}, \vec{l})$$

$$= I \cdot (N \cdot 2\pi r) \cdot B \cdot \cos(\angle \vec{B}, \vec{l}) = 1.6 \text{ A} \cdot (500 \cdot 2\pi \cdot 40 \cdot 10^{-3} \text{ m}) \cdot 0.5 \text{ T} \cdot \cos 90^\circ$$

Exercise E14 Magnetic Potential**(written test, approx. 8 % of a 120-minute written test, SS2024)**

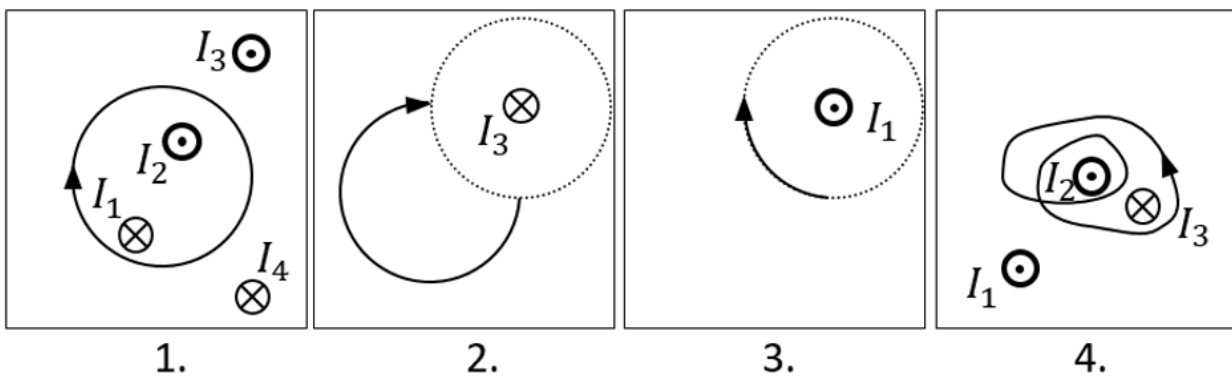
Calculate the magnetic potential difference V_{m} for the following paths as shown by the solid lines.

Dotted lines are only for there for symmetry aspects!

The wires conduct the following currents:

- $|I_1| = 2 \text{ A}$
- $|I_2| = 5 \text{ A}$
- $|I_3| = 11 \text{ A}$
- $|I_4| = 7 \text{ A}$

Pay attention to the signs of the currents (given by the diagrams) and of the results!



Result

Based on the right-hand rule and the part of a full revolution the following results:

1. Task: $+I_1 - I_2 = -3 \text{ A}$
2. Task: $+\frac{1}{4} I_3 = \frac{11}{4} \text{ A}$ (it does not matter which way the path goes from the startpoint to the endpoint, as long as it has the same direction and number of revolutions)
3. Task: $-\frac{1}{4} I_1 = -0.5 \text{ A}$
4. Task: $+2 \cdot I_2 - 1 \cdot I_3 = -1 \text{ A}$

Exercise E16 Self-Induction

(written test, approx. 8 % of a 120-minute written test, SS2024)

2. Determine the height of a 30 volt generator coil radius of 12 cm generator has 500 turns.

Result Current through the coil changes linearly from 0 A to 3 A in 0.02 ms.

The arrangement is located in air ($\mu_r=1$).

Path

$\mu_0 = 4\pi \cdot 10^{-7} \text{ Vs/Am}$ $U = \ln 2 \cdot \mu_0 \cdot n \cdot I \cdot h$
<p>.. Calculate the (self-)inductance of the coil.</p> <p>For the linear change of the current the formula of the induced voltage can also be linearized:</p>
$u_{\text{ind}} = -L \cdot \frac{di}{dt} \quad \&= -1.32 \cdot 10^{-3} \cdot \frac{3 \text{ A}}{0.02 \cdot 10^{-3} \text{ s}}$
<p>The formula for the induction of a long coil is:</p> $L = \mu_0 \cdot \mu_r \cdot N^2 \cdot \frac{A}{l} = 4\pi \cdot 10^{-7} \cdot (500)^2 \cdot \frac{\pi \cdot (2 \cdot 10^{-2} \text{ m})^2}{2 \cdot 10^{-2} \text{ m}}$

Exercise E17 Magnetic Circuit

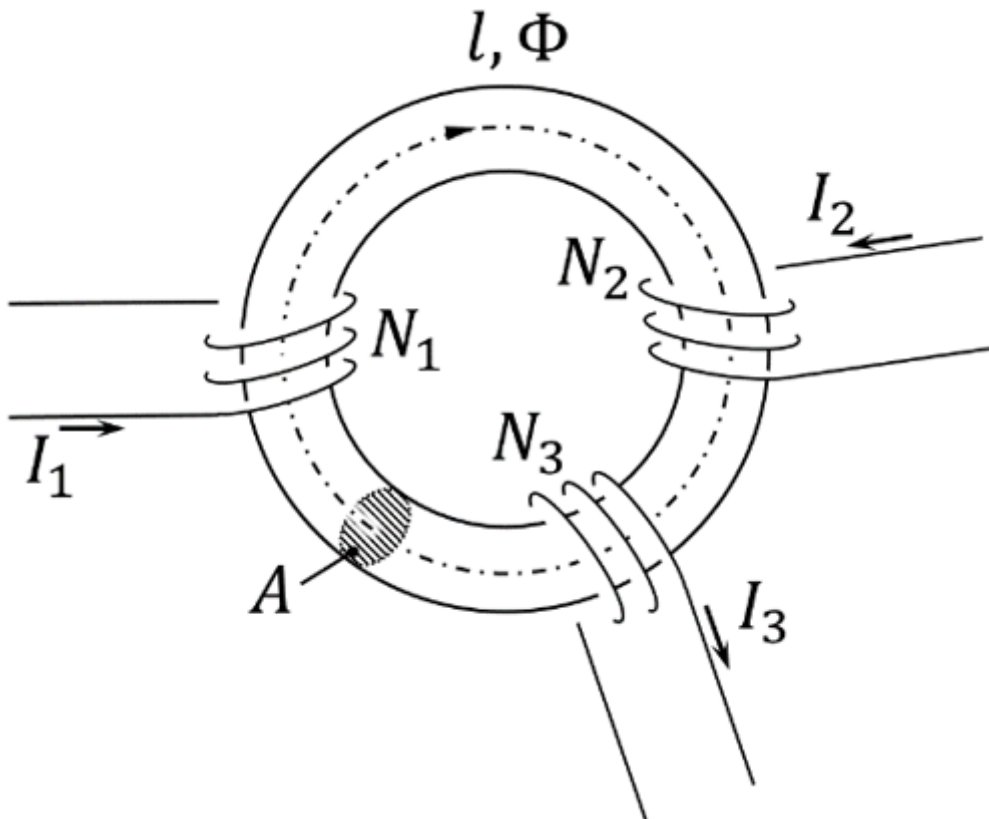
(written test, approx. 9 % of a 120-minute written test, SS2024)

1. Calculate the resulting magnetic field in the cross-sectional area of $A=300 \text{ mm}^2$

Result with an average circumference of $l=3 \text{ dm}$.

Path

$R_{\text{m}} = \frac{l}{\mu_0 \cdot \mu_r \cdot A} = \frac{3 \cdot 10^{-1} \text{ m}}{4\pi \cdot 10^{-7} \text{ Vs/Am} \cdot 300 \cdot 10^{-6} \text{ m}^2}$
<p>First we have to calculate the magnetic resistance in a region based on the sources:</p> $\mu_r = \frac{\mu}{\mu_0} = \frac{4\pi \cdot 10^{-7} \text{ Vs/Am} \cdot 900}{4\pi \cdot 10^{-7} \text{ Vs/Am}} = 900$ $R_{\text{m}} = \frac{l}{\mu_r \cdot \mu_0 \cdot A} = \frac{3 \cdot 10^{-1} \text{ m}}{900 \cdot 4\pi \cdot 10^{-7} \text{ Vs/Am} \cdot 300 \cdot 10^{-6} \text{ m}^2} = 3884193 \cdot \frac{1}{\text{Vs/Am}}$
<p>To get the flux Φ, the Hopkinson's Law can be applied - similar to the Ohm's Law:</p> $\Phi = \frac{I \cdot \mu_r \cdot \mu_0 \cdot A}{R_{\text{m}}} = \frac{60 \text{ A} \cdot 900 \cdot 4\pi \cdot 10^{-7} \text{ Vs/Am} \cdot 300 \cdot 10^{-6} \text{ m}^2}{3884193 \cdot \frac{1}{\text{Vs/Am}}}$ $\Phi = 67.8 \cdot 10^{-6} \text{ Vs} = 67.8 \cdot 10^{-6} \text{ Wb}$



On the core, there are three coils with:

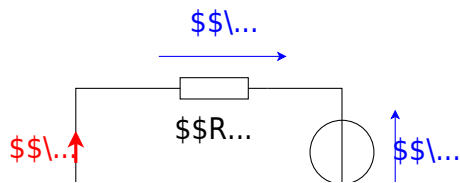
- Coil 1: $N_1 = 1200$, $I_1 = 100 \text{ mA}$
- Coil 2: $N_2 = 33$, $I_2 = 3 \text{ A}$
- Coil 3: $N_3 = 270$, $I_3 = 0.3 \text{ A}$

Refer to the drawing for the direction of the windings, current, and flux!

1. Draw the equivalent magnetic circuit that fully represents the setup. Name all the necessary magnetic resistances, fluxes, and voltages.

Result

- Since the material, and diameter of the core is constant, one can directly simplify the magnetic resistor into a single R_m .
- For the orientation of the magnetic voltages θ_1 , θ_2 , and θ_3 , the orientation of the coils and the direction of the current has to be taken into account by the right-hand rule.
- There is only one flux Φ
- The magnetic voltages are antiparallel to the flux for sources and parallel for the load.



Full Exam

These is the full exam

Full exam

Exercise E2 Electrostatics I

(written test, approx. 8 % of a 120-minute written test, SS2024)

2. What is the magnitude of the electric force on the particle shown? The value of the permittivity of free space is $\epsilon_0 = 8.85 \times 10^{-12} \text{ C}^2/\text{Nm}^2\text{V}^{-1}$. Which value needs E_4 to have to get a resulting force of 0 N on q_0 ?

Path • $q_0 = -1 \text{ nC}$

- $q_1 = -5 \text{ nC}$

Path • $E_4 = 2507 \text{ (from } kq_1q_2/r^2)$

- $\vec{F}_{01} = \left(\begin{array}{c} cccc \\ +917 \end{array} \right) \cdot (-1 \text{ nC}) \cdot (5 \text{ nC}) / (0.1 \text{ m})^2$

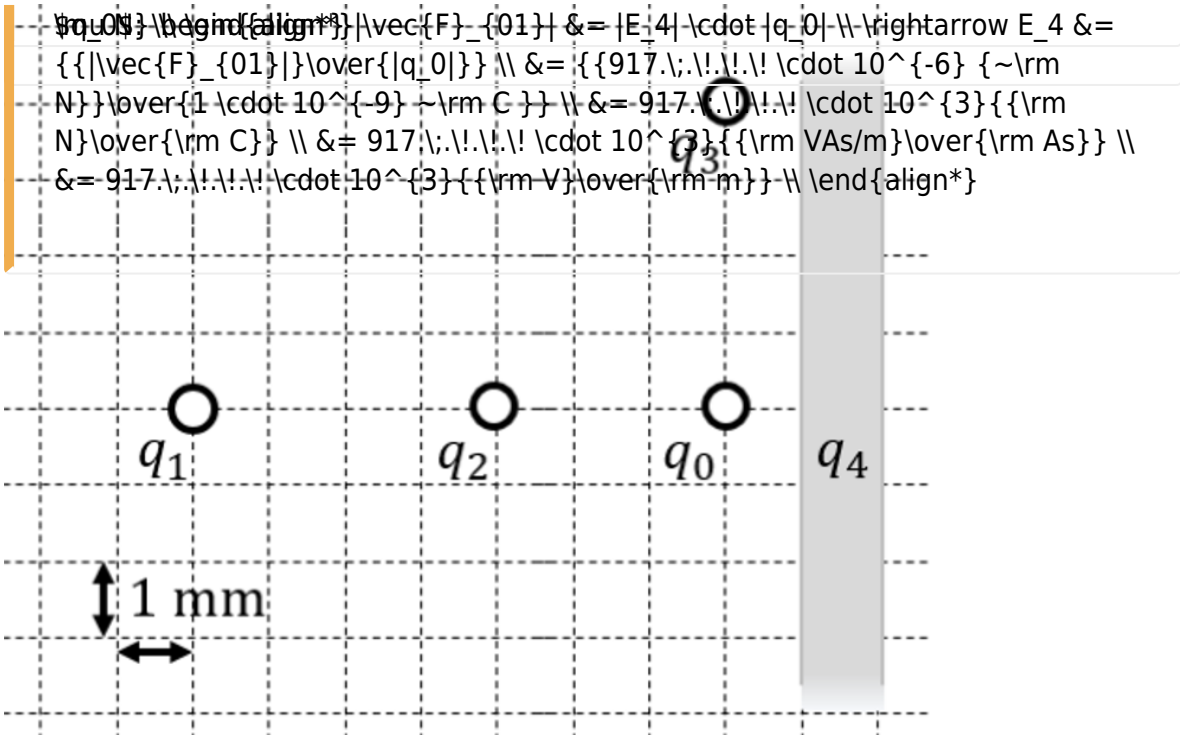
With the given values and the components we can calculate the resulting magnitude

- $F_{01} = 917 \text{ N}$

The definition of the electric field is $E = F/q$ so $F = qE$

- $F_{01} = q_0 E_1 = (-1 \text{ nC}) \cdot E_1 = 917 \text{ N}$

Here the magnitude of the electric force is $F_{01} = 917 \text{ N}$



1. Calculate the single forces \vec{F}_{01} , \vec{F}_{02} , \vec{F}_{03} , on the charge q_0 !

Path

First, set up a coordinate system. Here, I choose x pointing to the right (positive values to the right) and y pointing upwards (positive values upwards).

Then, calculate the magnitude of the forces, like \vec{F}_{01} (force on q_0 from q_1).

The force \vec{F}_{01} is purely on the x-axis and therefore equal to $F_{01,x}$.
$$\vec{F}_{01} = F_{01,x} = \frac{1}{4\pi\epsilon_0} \cdot \frac{q_1 \cdot q_0}{r_{01}^2} = \frac{1}{4\pi \cdot 8.854 \cdot 10^{-12} \text{ As/Vm}} \cdot \frac{1 \cdot 5 \cdot 10^{-9} \text{ C}}{(7 \cdot 10^{-3} \text{ m})^2} = 917. \cdot 10^{-6} \frac{\text{As}^2 \cdot \text{Vm}}{\text{As} \cdot \text{m}^2} = 917. \cdot 10^{-6} \frac{\text{VAs}}{\text{m}} = 917. \cdot 10^{-6} \frac{\text{Ws}}{\text{m}} = +917. \cdot 10^{-6} \text{ N}$$
 Since both q_0 and q_1 have the same sign for their charges, they are repelling each other.

Therefore, The force \vec{F}_{01} points to the right (positive value).

Similarly, we get for \vec{F}_{02} and \vec{F}_{03}
$$\vec{F}_{02} = F_{02,x} = -1997. \cdot 10^{-6} \text{ N} \quad \vec{F}_{03} = F_{03,y} = -1123. \cdot 10^{-6} \text{ N}$$
 Since q_0 and q_2 have the different sign for their charges, they are attract each other. Therefore, The force \vec{F}_{02} points to the left (negative value).

Since q_0 and q_3 have the different sign for their charges, they are attract

each other. Therefore, The force \vec{F}_{03} points downwards (negative value).

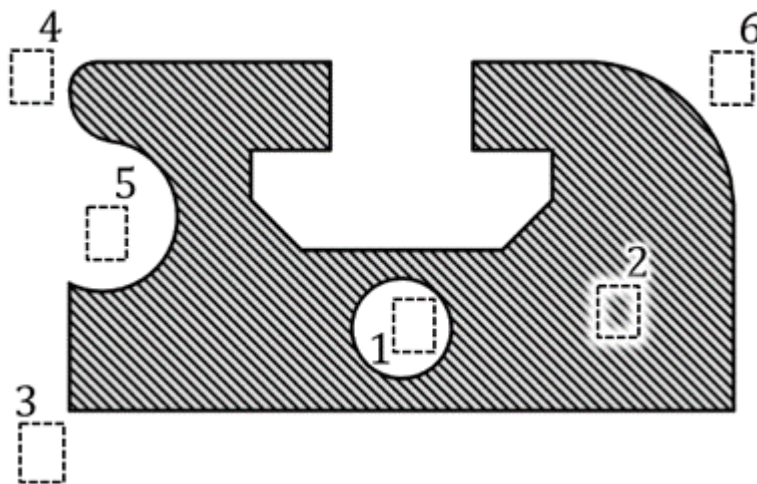
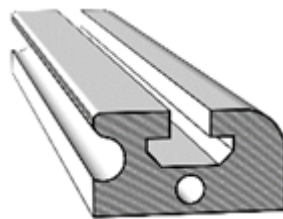
[electrical_engineering_and_electronics:task_5u1zbroaz75w39jk_with_calculation](#)
[electrostatic, field lines, exam ee2 ss2024](#)

Exercise E4 Electrostatics II
(written test, approx. 10 % of a 120-minute written test, SS2024)

You must analyze an aluminum profile for usage in an environment critical for electrostatic discharge.

The figure on the right shows the cross-section of the aluminum element (hatched). During the application, it might get charged up. All areas in white consist of air (= dielectric).

Six designated areas are shown by dashed frames and numbers n, which are partly inside the object.



Arrange the designated areas clearly according to ascending field strengths $|\vec{E}_n|$ (absolute magnitude)! Indicate also, if designated areas have quantitatively the same field strength.

Result

$$|E_1| = |E_2| = 0 < |E_5| < |E_6| < |E_4| < |E_3|$$

electrical_engineering_and_electronics:task_ci1z102x25jmpzvs_with_calculation
 electrostatic, electric field strength, exam ee2 ss2024

Exercise E6 Capacitor
 (written test, approx. 12 % of a 120-minute written test, SS2024)

0. Calculate the electric field strength in the possible homogeneous field between the plates. Result: $E = 8.854 \cdot 10^{-12} \text{ As/Vm}$ was applied.

The contaminant has $\epsilon_r > \epsilon_{\text{air}}$, while the distance between the plates remains the same. Give a generalized formula

$$C_2 = f(A, d, x, \epsilon_r, \epsilon_{\text{air}})$$

$$Q = \frac{\epsilon_0 \epsilon_r A U}{d} + \frac{\epsilon_0 \epsilon_{\text{air}} A U}{d}$$

There are two ways now. Either: $Q = C \cdot U = 1.1 \cdot 10^{-9} \text{ As}$
 Or: $Q = D \cdot A = \epsilon_0 \epsilon_r \frac{U}{d} A + \epsilon_0 \epsilon_{\text{air}} \frac{U}{d} A = 8.854 \cdot 10^{-12} \cdot U \cdot A \cdot \left(\frac{\epsilon_r}{d} + \frac{\epsilon_{\text{air}}}{d} \right)$

The resulting capacity C is now a series circuit of C_{air} and C_{r}

$$C = \frac{1}{\frac{1}{C_{\text{air}}} + \frac{1}{C_{\text{r}}}}$$

$$C_{\text{air}} = \epsilon_0 \epsilon_{\text{air}} \frac{A}{d}$$

$$C_{\text{r}} = \epsilon_0 \epsilon_r \frac{A}{d-x}$$

$$C = \frac{\epsilon_0 A}{d} \left(\frac{\epsilon_{\text{air}}}{1} + \frac{\epsilon_r}{\frac{d-x}{d}} \right)$$

in the following such a sensor is given with:

- This leads to:
- Plate area: $A = 25 \cdot 10^{-6} \text{ m}^2$
 - Distance between both plates: $d = 200 \cdot 10^{-6} \text{ m}$
 - Air between the plates: $\epsilon_{\text{air}} = 1$
 - Supply voltage: $U = 3.3 \text{ V}$
 - Boundary effects on the end of the layers shall be ignored in the following calculations.

$$\epsilon_0 = 8.854 \cdot 10^{-12} \text{ F/m}$$

1. Calculate the capacity C .

Path

$$C = \frac{\epsilon_0 A}{d} \left(\epsilon_{\text{air}} + \frac{\epsilon_r d}{d-x} \right) = 8.854 \cdot 10^{-12} \cdot \frac{25 \cdot 10^{-6}}{200} \left(1 + \frac{\epsilon_r \cdot 200}{200 - x} \right)$$

```
\cdot 10^{-6} \{ \sim \rm m \} \} \end{align*}
```

[electrical_engineering_and_electronics:task_k4wrrhf8v46gct49_with_calculation](#)
[electrostatic](#), [capacitor](#), [plate capacitor](#), [capacity](#), [exam ee2 ss2024](#)

Exercise E8 Magnetic Field Lines
(written test, approx. 6 % of a 120-minute written test, SS2024)

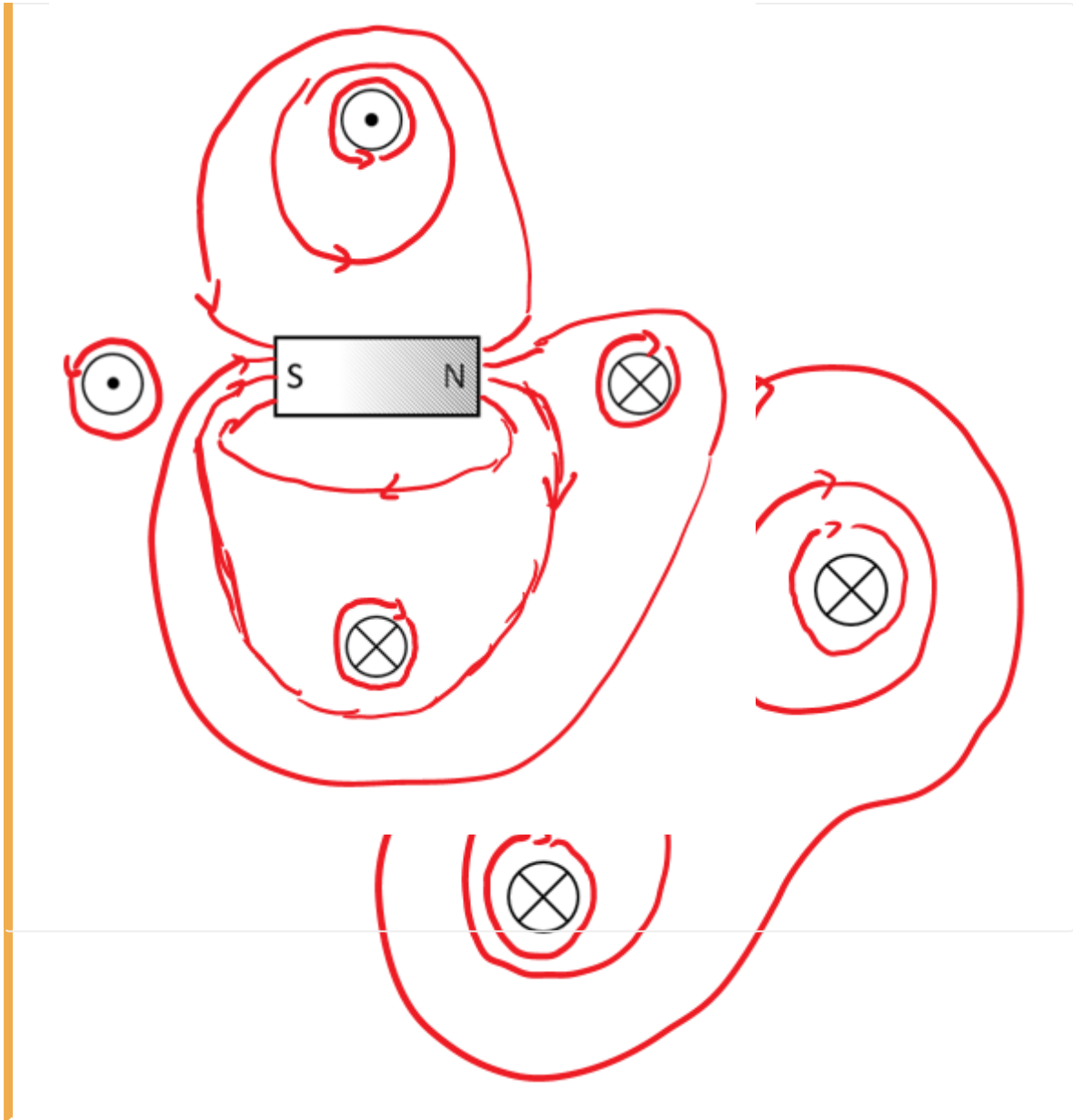
The following setup of a permanent magnet affects the H-field, based on the fundamental definition of the H-field.

- Four conductors are located perpendicular to the plane of the diagram
- All of them conduct a current with the same magnitude, but not in the same direction.
- A permanent magnet is located in between the conductors.

- The H-field is defined by currents $\sum I = \int H \{ \rm d \} s$.
- In the permanent magnet, there are no free currents.
- The bound currents (of the permanent magnet) create also an H field.
- This exits on the north pole and enters the magnet on the south pole (similar to the B-field)
- $H = B/\mu$
- The H-field from task 1 gets distracted

... Do not consider the permanent magnet at first. Draw at least 10 field lines of the H-field qualitatively. Give a correct representation of their direction, and density for the shown area.

Result



electrical_engineering_and_electronics:task_8a117vmnbbmsbfz3_with_calculation magnetostatic, magnetic field lines, exam ee2 ss2024

Exercise E10 Fields of an coax Cable
 (written test, approx. 12 % of a 120-minute written test, SS2024)

2. Plot the graph of the magnitude of $B(r)$ with r in cm . The diagram shows the results for $r = 0$ to $r = 10$ with the origin $|r| = 0$ in the center of the cable. Due to the dimensions and the scale for the diagram appears:

- Inner conductor: $+3.3 \text{ mA}$, $+10 \text{ nC}$ (current into the plane of the path diagram)
 - for $(0.1 \text{ mm} | 0)$: $B_{(r=i)} = 328 \dots \text{ A/cm}^2$
 - Outer conductor: -3.3 mA , 0 nC (current out of the plane of diagram)
 - for $(0.55 \text{ mm} | 0)$: $B_{(r=o)} = 0.985 \dots \text{ A/cm}^2$
- The magnitude of the electric displacement field D can be calculated by: $\int D \{r,d\} A = Q$.
- In general, the B -field is proportional to $\frac{1}{r}$ for the

Here, situation between radii to conductors, the surrounding area is the surface of a cylinder. For this, the charges flow in the direction of the conductor. The field lines are perpendicular to the surface of the cylinder. This leads to a linear proportionality of the field strength with the radius x . Therefore, the formula $H = \frac{I}{2 \pi \cdot r}$ gets $H(x) = \frac{I}{2 \pi \cdot x}$. So, we get for H_{in} at $r_{\text{in}} = 0.1 \text{ mm}$, and H_{out} at $r_{\text{out}} = 0.55 \text{ mm}$ proportional to x .

- For x within the outer conductor one also gets a linear proportionality with a similar approach.

$$D_{\text{in}} = \frac{Q}{2 \pi \cdot r_{\text{in}} \cdot l} = \frac{10 \cdot 10^{-9} \text{ C}}{2 \pi \cdot 0.1 \cdot 10^{-3} \text{ m} \cdot 0.5 \text{ m}}$$

$$D_{\text{out}} = \frac{Q}{2 \pi \cdot r_{\text{out}} \cdot l} = \frac{10 \cdot 10^{-9} \text{ C}}{2 \pi \cdot 0.55 \cdot 10^{-3} \text{ m} \cdot 0.5 \text{ m}}$$

Hint: For the direction, one has to consider the sign of the enclosed charge. By this, we see that the D -field is positive. But here, again only the magnitude was questioned!

.. What is the magnitude of the magnetic field strength H at $r_{\text{in}} = 0.1 \text{ mm}$ and $r_{\text{out}} = 0.55 \text{ mm}$?

Path

The magnitude of the magnetic field strength H can be calculated by: $H = \frac{I}{2 \pi \cdot r}$
 So, we get for H_{in} at $r_{\text{in}} = 0.1 \text{ mm}$, and H_{out} at $r_{\text{out}} = 0.55 \text{ mm}$:

$$H_{\text{in}} = \frac{I}{2 \pi \cdot r_{\text{in}}} = \frac{+3.3 \text{ A}}{2 \pi \cdot 0.1 \cdot 10^{-3} \text{ m}}$$

$$H_{\text{out}} = \frac{I}{2 \pi \cdot r_{\text{out}}} = \frac{+3.3 \text{ A}}{2 \pi \cdot 0.55 \cdot 10^{-3} \text{ m}}$$

Hint: For the direction, one has to consider the right-hand rule. By this, we see that the H -field on the right side points downwards. Therefore, the sign of the H -field is negative. But here, only the magnitude was questioned!

electrical_engineering_and_electronics:task_ddjurcpk494go2q1_with_calculation
 electric field, magnetic field, exam ee2 ss2024

Exercise E12 Lorentz Force

(written test, approx. 8 % of a 120-minute written test, SS2024)

2. Describe the resulting force on the left and right coils of the inhomogeneous shorted field of the shuttle. To
 describe the resulting force on the left and right coils of the inhomogeneous shorted field of the shuttle (see image).

Result

Mobile Shuttle

Since the resulting force has to be perpendicular to B -field and conductor, the force has to point to the left or the right.

The right-hand rule leads to forces pointing radially **into the coil**.

No. For a homogeneous B field ("constant magnetic field of the shuttle"), the Lorentz forces cancel each other out.

The Lorentz force can only have a lifting effect in an inhomogeneous field. In this case, the sum of the forces results in a repulsing force, see image.

Beside boundary effects, the field gets also inhomogeneous, by the additional

field of the coils

Fixed Floor

- current $I = 1.6 \text{ A}$
- magnetic field of the shuttle is homogeneous with $B = 0.5 \text{ T}$

1. Calculate the magnitude of the resulting force on one coil!

Path

The Lorentz force on a conductor the length l and the current I in a B -field is
$$|\vec{F}_L| = I \cdot l \cdot B \cdot \cos(\angle \vec{B}, \vec{l})$$

$$= I \cdot (N \cdot 2\pi r) \cdot B \cdot \cos(\angle \vec{B}, \vec{l})$$

$$= 1.6 \text{ A} \cdot (500 \cdot 2\pi \cdot 40 \cdot 10^{-3} \text{ m}) \cdot 0.5 \text{ T} \cdot \cos 90^\circ$$

electrical_engineering_and_electronics:task_5efsj705cf97jxga_with_calculation
 lorentz force, magnetic field, exam ee2 ss2024

Exercise E14 Magnetic Potential (written test, approx. 8 % of a 120-minute written test, SS2024)

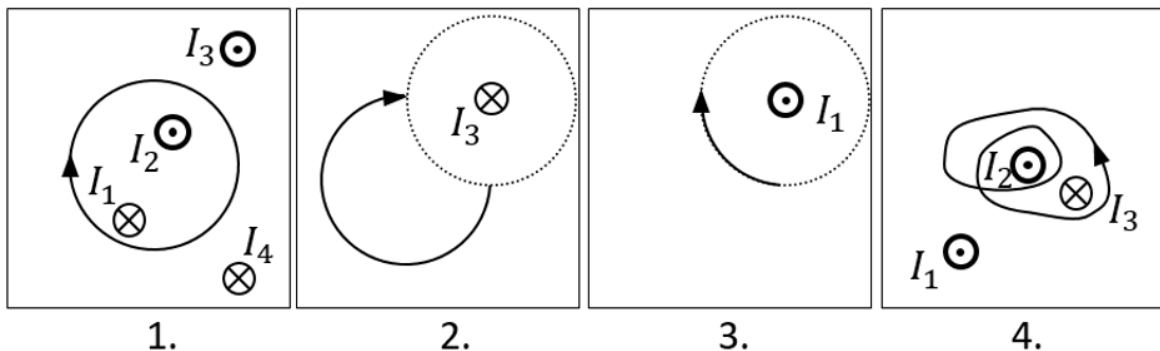
Calculate the magnetic potential difference V_{m} for the following paths as shown by the solid lines.

Dotted lines are only for there for symmetry aspects!

The wires conduct the following currents:

- $|I_1| = 2 \text{ A}$
- $|I_2| = 5 \text{ A}$
- $|I_3| = 11 \text{ A}$
- $|I_4| = 7 \text{ A}$

Pay attention to the signs of the currents (given by the diagrams) and of the results!



Result

Based on the right-hand rule and the part of a full revolution the following results:

1. Task: $+I_1 - I_2 = -3 \text{ A}$
2. Task: $+\frac{1}{4} I_3 = 11/4 \text{ A}$ (it does not matter which way the path goes from the startpoint to the endpoint, as long as it has the same direction and number of revolutions)
3. Task: $-\frac{1}{4} I_1 = -0.5 \text{ A}$
4. Task: $+2 \cdot I_2 - 1 \cdot I_3 = -1 \text{ A}$

electrical_engineering_and_electronics:task_kmp8r8y6lvwjnoc3_with_calculation
magnetic potential, exam ee2 ss2024

Exercise E16 Self-Induction
(written test, approx. 8 % of a 120-minute written test, SS2024)

2. Determine the length of a solenoid with a diameter of 2 cm and 500 turns.
Result: Current through the coil changes linearly from 0 A to 3 A in 0.02 ms.
Path: The arrangement is located in air ($\mu_r = 1$).

$$L = 1.32 \cdot 10^{-7} \text{ Vs/Am}$$

.. Calculate the self-inductance of the coil. The formula of the induced voltage can also be linearized:
$$u_{\text{ind}} = -L \cdot \frac{di}{dt} \Rightarrow -1.32 \cdot 10^{-3} \cdot \frac{3 \text{ A}}{0.02 \cdot 10^{-3} \text{ s}}$$

The formula for the induction of a long coil is:
$$L = \mu_0 \mu_r N^2 \frac{A}{l} = 4\pi \cdot 10^{-7} \cdot (500)^2 \cdot \frac{\pi \cdot (2 \cdot 10^{-2} \text{ m})^2}{2 \cdot 10^{-2} \text{ m}}$$

electrical_engineering_and_electronics:task_ljxf80q7vxywehqf_with_calculation
induction, exam ee2 ss2024

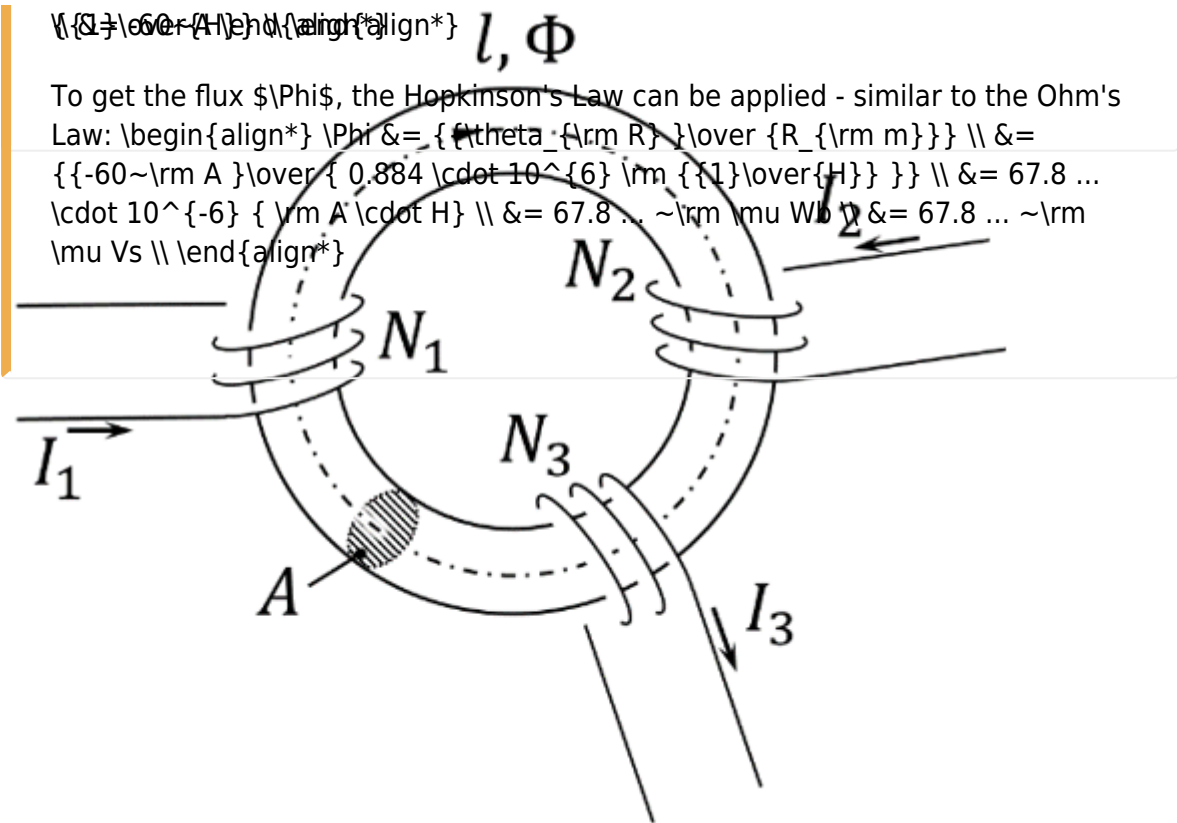
Exercise E17 Magnetic Circuit
(written test, approx. 9 % of a 120-minute written test, SS2024)

2. Calculate the magnetic resistance of a core with a cross-sectional area of $A=300 \text{ mm}^2$ and an average circumference of $l=3 \text{ dm}$.

Path

$$R_{\text{m}} = 0.84 \cdot 10^6 \frac{1}{\text{Vs/Am}}$$

First we have to calculate the magnetic resistance based on the sources:
$$R_{\text{m}} = \frac{l}{\mu_0 \mu_r A} = \frac{3 \text{ m}}{4\pi \cdot 10^{-7} \text{ Vs/Am} \cdot 300 \cdot 10^{-6} \text{ m}^2} = 0.84 \cdot 10^6 \frac{1}{\text{Vs/Am}}$$



On the core, there are three coils with:

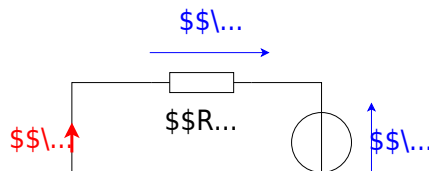
- Coil 1: $N_1 = 1200$, $I_1 = 100 \text{ mA}$
- Coil 2: $N_2 = 33$, $I_2 = 3 \text{ A}$
- Coil 3: $N_3 = 270$, $I_3 = 0.3 \text{ A}$

Refer to the drawing for the direction of the windings, current, and flux!

1. Draw the equivalent magnetic circuit that fully represents the setup. Name all the necessary magnetic resistances, fluxes, and voltages.

Result

- Since the material, and diameter of the core is constant, one can directly simplify the magnetic resistor into a single R_{m} .
- For the orientation of the magnetic voltages θ_1 , θ_2 , and θ_3 , the orientation of the coils and the direction of the current has to be taken into account by the right-hand rule.
- There is only one flux Φ
- The magnetic voltages are antiparallel to the flux for sources and parallel for the load.



electrical_engineering_and_electronics:task_n1kwu944m7jac3tf_with_calculation
magnetic circuit, exam ee2 ss2024

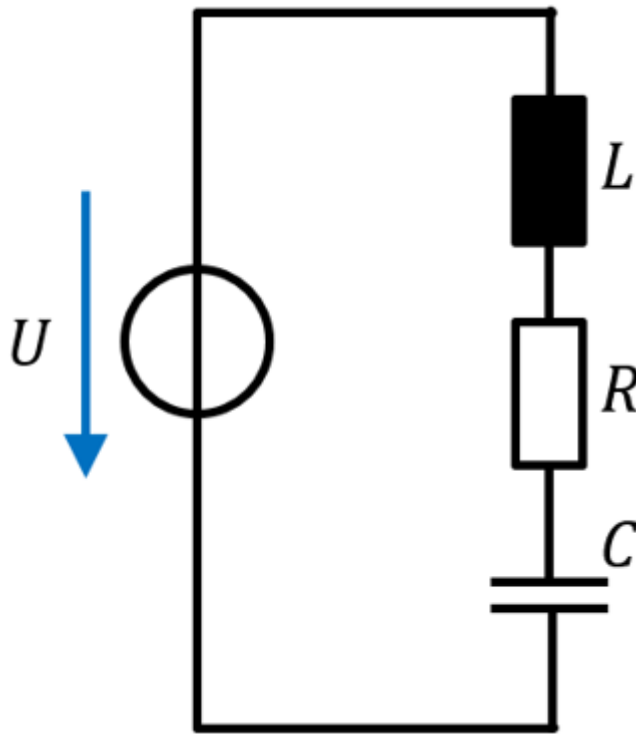
Exercise E19 Magnetic Circuit
(written test, approx. 10 % of a 120-minute written test, SS2024)

2. For a series RLC circuit, the frequency f_r is given by the resonance condition $\omega = 1/\sqrt{LC}$.
Result: The voltage required is $U_C = 100 \text{ V}$ and the resonance frequency is $f_r = 5 \text{ kHz}$.

Path

- $U_C = 100 \text{ V}$
- $\omega = 1/\sqrt{LC} = 83.0 \text{ m}\Omega$
- $\omega = 1/\sqrt{LC} = 20.0 \text{ m}\Omega$

The formula for the resonance frequency f_r is: $f_r = \frac{1}{2\pi\sqrt{LC}}$
The voltage on the ideal capacitor is the input voltage by the factor $Q = \frac{1}{R}\sqrt{\frac{L}{C}}$
increased: $U_C = U \cdot Q = 100 \text{ V} \cdot 1.6 = 160 \text{ V}$
The impedance at resonance is purely resistive: $Z = R = 100 \text{ V} / 0.020 \text{ A} = 5 \text{ kHz}$



A given capacitor shall have the following values:

- $C=10 \text{ nF}$
- $R=20 \text{ m}\Omega$
- $L=1.6 \text{ nH}$

1. What is the impedance Z_{RLC} of this real capacitor for $f_0=44 \text{ MHz}$?
(Phase and magnitude)

Path

The impedance is based on the resistance R and the reactance $X_{LC} = j(X_L - X_C)$:

$$\underline{Z}_{RLC} = R + j(X_L - X_C) = R + j\left(\omega L - \frac{1}{\omega C}\right) = R + j\left(2\pi f \cdot L - \frac{1}{2\pi f \cdot C}\right)$$

The reactive part is

$$X_{LC} = 2\pi f \cdot L - \frac{1}{2\pi f \cdot C} = 2\pi \cdot 44 \cdot 10^6 \text{ MHz} \cdot 1.6 \cdot 10^{-9} \text{ nH} - \frac{1}{2\pi \cdot 44 \cdot 10^6 \text{ MHz} \cdot 10 \cdot 10^{-9} \text{ nF}}$$

$$= +0.08062... \Omega$$

To get the magnitude of the impedance $|\underline{Z}_{RLC}|$ one can use the Pythagorean Theorem:

$$|\underline{Z}_{RLC}| = \sqrt{R^2 + X_{LC}^2} = \sqrt{(0.020 \Omega)^2 + (0.08062... \Omega)^2} = 0.0830... \Omega$$

For the phase φ the \arctan can be applied:

$$\varphi = \arctan\left(\frac{X_{LC}}{R}\right) = \arctan\left(\frac{0.08062...}{0.020}\right)$$

$$\hat{\varphi} = 1.3276 \dots \hat{=} +76^\circ$$

electrical_engineering_and_electronics:task_yh4srwxu1bo1rdy4_with_calculation
 resonance, impedance, resonant circuit, exam ee2 ss2024

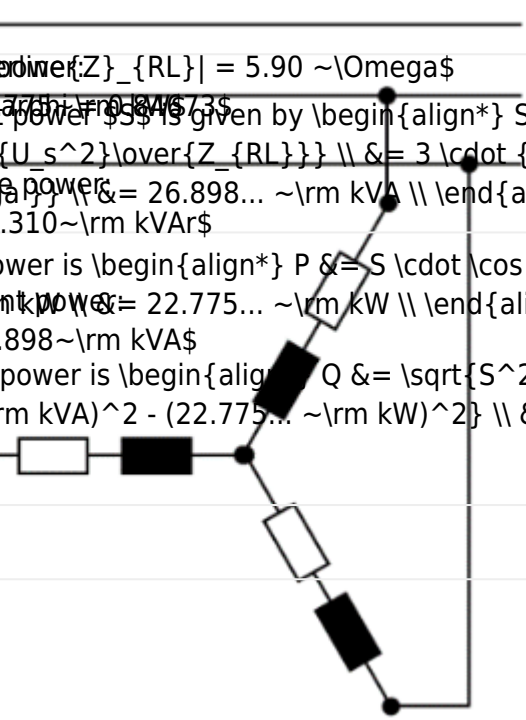
Exercise E21 Magnetic Circuit
(written test, approx. 10 % of a 120-minute written test, SS2024)

2. Calculate the real power, the apparent power, and the reactive power of the motor.
 Result: $f = 50 \text{ Hz}$ three-phase power net. Each single string has a resistor $R=5 \text{ }\Omega$ and an inductance of $L=10 \text{ mH}$.
 Path

L1

L2

L3



- $|Z_{RL}| = 5.90 \text{ }\Omega$
- The apparent power S is given by
$$S = 3 \cdot U_s \cdot I_s = 3 \cdot \frac{U_s^2}{|Z_{RL}|} = 26.898 \dots \text{ kVA}$$
- The active power is
$$P = S \cdot \cos \varphi = 22.775 \dots \text{ kW}$$
- The reactive power is
$$Q = \sqrt{S^2 - P^2} = 14.310 \dots \text{ kVAr}$$

1. Calculate the $\cos \varphi$, and the magnitude of the impedance $|Z|$ for a single string.

Path

$$\varphi = \arctan \left(\frac{X_L}{R} \right) = \arctan \left(\frac{2\pi \cdot f \cdot L}{R} \right) = \arctan \left(\frac{2\pi \cdot 50 \text{ Hz} \cdot 10 \cdot 10^{-3} \text{ H}}{5 \text{ }\Omega} \right) = 0.5609 \dots \hat{=} +32^\circ$$

With this, the $\cos \varphi$ becomes $\begin{aligned} \cos \varphi &= \cos(0.5609 \dots) \\ &= 0.84673 \dots \end{aligned}$

The impedance is given by: $\begin{aligned} \underline{Z}_{RL} &= \sqrt{X_L^2 + R^2} \\ &= \sqrt{(2\pi \cdot f \cdot L)^2 + R^2} \\ &= \sqrt{(2\pi \cdot 50 \text{ Hz} \cdot 10 \cdot 10^{-3} \text{ H})^2 + (5 \Omega)^2} \\ &= 5.905 \dots \Omega \end{aligned}$

[electrical_engineering_and_electronics:task_d9io924n0e3du21g_with_calculation_resonance, impedance, resonant circuit, exam ee2 ss2024](#)

From:

<https://first.mexle.te.hs-heilbronn.de/> - **MEXLE Wiki**

Permanent link:

https://first.mexle.te.hs-heilbronn.de/electrical_engineering_and_electronics_1/ss2024_exam

Last update: **2026/01/12 00:44**

