

Photodiode as current source

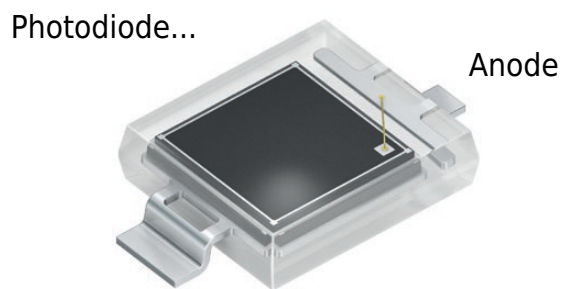
Student Group

First Name	Surname	Matrikel Nr.

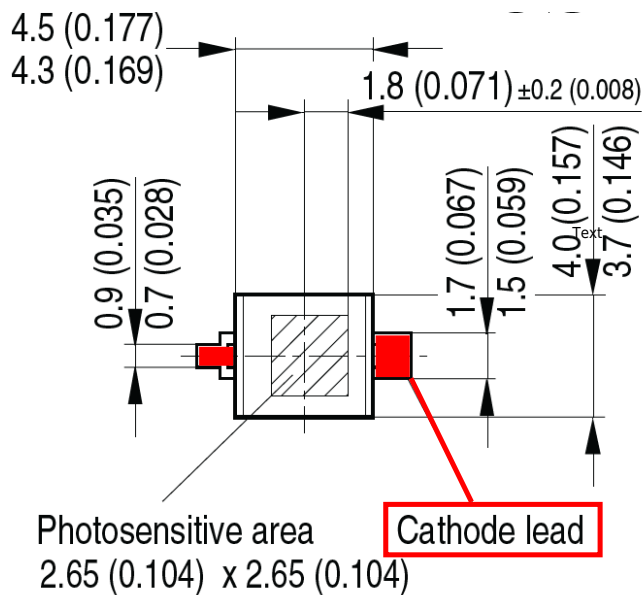
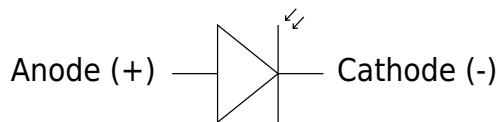
Table of Contents

Photo Diode as current source 2

Photo Diode as current source



Catho...



Text is not SVG - cannot display

lab05:Fig-110_inverting_op-amp_photo_diode_diagramms.svg

lab05:Fig-100_inverting_op-amp_photo_diode.svg

lab05:Table-1_inverting_op-amp_photo_diode.svg

Tab. ##: Inverting Op-Amp: Photo Diode BPW 34 S

From:

<https://first.mexle.te.hs-heilbronn.de/> - MEXLE Wiki

Permanent link:

https://first.mexle.te.hs-heilbronn.de/lab05_en/inverting_op-amp_photo_diode_as_current_source?rev=1776684116

Last update: **2026/04/20 13:21**

